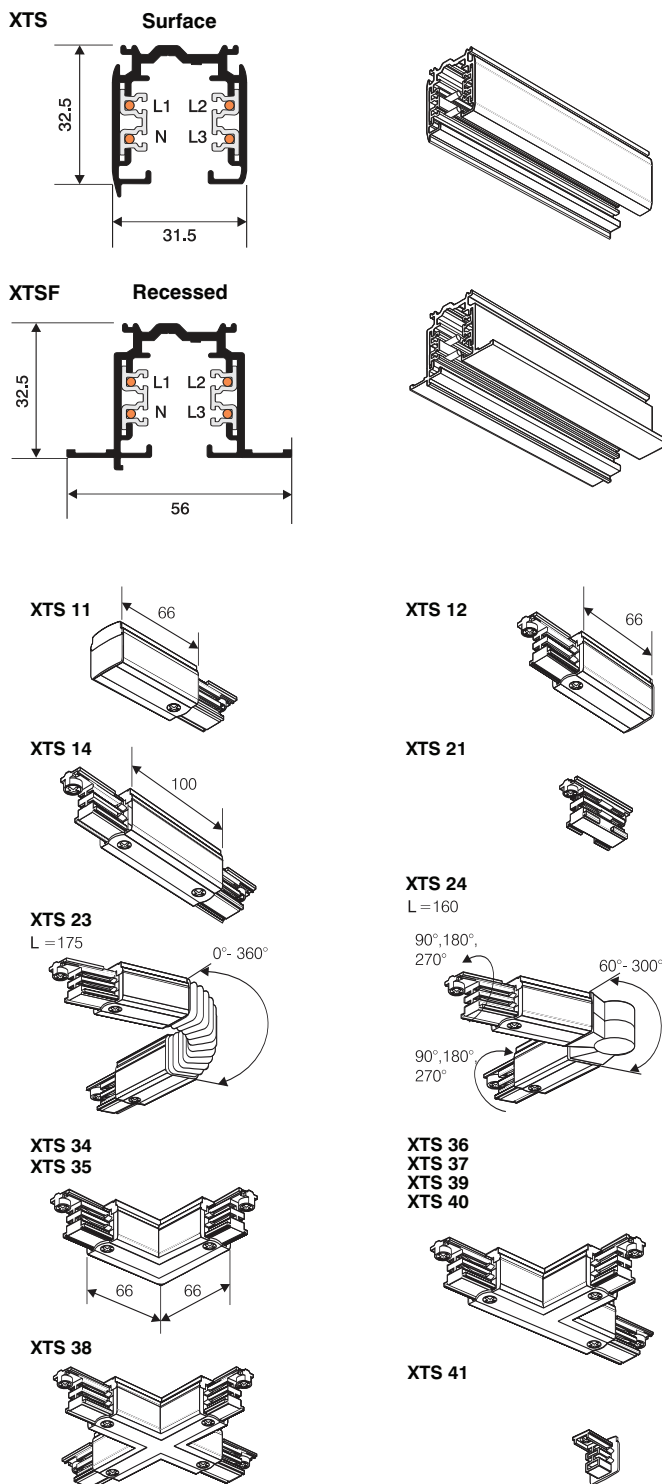


Track and Accessories

Downlight Accessories	QR-CBC 35	QR-CBC 51
Honeycomb Louvre 45°	LS45	LL45
Diffusing Lens	LSDF	LLDF
Frosted Lens	LSFR	LLFR
Linear Spread Lens	LSLS	LLLS
Heavy Spread Lens	LSHS	LLHS
Blue Lens	LSBL	LLBL
Red Lens	LSRD	LLRD
Green Lens	LSGR	LLGR
Yellow Lens	LSYL	LLYL
2700° Colour Lens		LLCC

Spotlight Accessories	Mini	Midi	Maxi
Media Holder	MNMH	MDMH	MXMH
Honeycomb Louvre 45°	MN45	MD45	MX45
Diffusing Lens	MNDF	MDDF	MXDF
Linear Spread Lens	MNLS	MDLS	MXLS
Heavy Spread Lens	MNHS	MDHS	MXHS
Blue Lens	MNBL	MDBL	MXBL
Red Lens	MNRD	MDRD	MXRD
Green Lens	MNGR	MDGR	MXGR
Yellow Lens	MNYL	MDYL	MXYL



Global Pro

- 16A Global 3-circuit lighting track
- Recessed or surface mounted tracks available
- Numerous feeds & connectors available to create simple or more complex configurations
- Surface tracks can be fixed directly to the ceiling via clips, or suspended using wires, rods or conduit suspensions
- Track can be cut to length on site (conductor bending tool required to allow electrical connections after cutting)
- For use with Lucent ProSpot projectors, or any luminaire fitted with a universal 3-circuit track adaptor

Surface mounted 3-circuit track

XTS4100	1000mm
XTS4200	2000mm
XTS4300	3000mm

3-circuit track for recessed mounting

XTSF4100	1000mm
XTSF4200	2000mm
XTSF4300	3000mm

Feeds

XTS11	Live end – earth left
XTS12	Live end – earth right
XTS14	Centre (in-line) Feed

Connectors

XTS21	Straight connector
XTS23	Flexible corner
XTS24	Adjustable corner
XTS34	90° corner – earth outside
XTS35	90° corner – earth inside
XTS36	T connector – earth right + inside
XTS37	T connector – earth left + outside
XTS39	T connector – earth left + inside
XTS40	T connector – earth right + outside
XTS38	X connector
XTS41	End cap

Mounting & suspension parts

SKB12	Ceiling clamp
SPC16	Conduit suspension set (Ø16mm)
L	1000mm
SPR6	Rod suspension set M6 L 1000mm
SPW1	Wire suspension set M6 L 1000mm
SP4P	Point clamp Suspension.

Other suspension accessories available, for details contact Lucent Lighting.

Other components

XTSV12	Track conductor bending tool
XTSF10	Feed cover plate for use with recessed track
XTSF30	Cover plate for connectors, for use with recessed track

For full list of components please contact Lucent Lighting