

# Prospex® Pinhole Edge Washlight for Xicato XTM LED modules

91413-WL-XIC

Washlight Pinhole downlights for Xicato XTM LED modules. Edge baffle to ensure aperture is glare free and for a professional look.

45mm diameter Pinhole Aperture with deep regressed lamp position for minimal glare.

Can be installed either trim or trimless for a seamless finish. Supplied with clear glass accessory. luminaire IP44 when the accessory is fitted in the edge baffle.

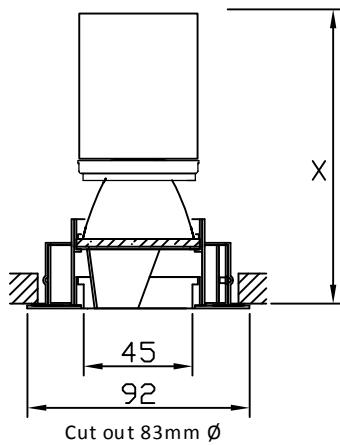
Both fixed and accent versions. 360° rotation and 35° adjustment on accent fixtures.

Trims available with overlap flange for installation into existing ceilings (suffix "-9000-PBZ" to the reference number when specifying) and Plaster in kit for seamless flush finish (suffix "-9000-PCZ" to the reference number when specifying).

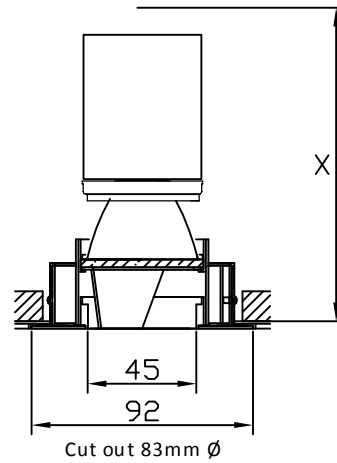


**Ref Number:**

91413-F-XIC-WH	White (RAL 9010)
91413-F-XIC-BK	Black (RAL 9005)



Trimmed installation with 9000-PBZ



Trimless installation with 9000-PCZ

Adjustable	No
Aperture	45mm Ø
Overall diameter	92mm Ø
Required depth	X + 25mm <i>Refer to tables on page 2 for fixture height (X)</i>
First fix requirement*	Yes
Ceiling cut out	83mm Ø
Ceiling thickness	20mm MAX
Ingress protection**	IP20/IP44

\*First Fix requirement. A choice of two installation kits. Specify:

9000-PBZ for already finished ceilings.

9000-PCZ plaster in kit for seamless installation.

\*\*IP Rating. Tested from underside of the ceiling. IP44 only when clear glass accessory is installed in the edge baffle.

It is the policy of Lucent Lighting to continually review and improve its products and therefore reserve the right to change any details of product or withdraw specifications without prior notice.

Luminaires designed to comply with EN60598 and all other relevant Standards. This Specification Sheet supersedes all previous versions

All intellectual property rights pertaining to the product described above and to this document are owned by or licensed to Lucent Lighting UK Ltd.

We reserve our right to take whatever action is necessary to protect those intellectual property rights. Please notify Lucent Lighting Ltd of any inaccuracies immediately. E&OE



Job/Project Name	Area/Location	Fitting Ref
		Quantity

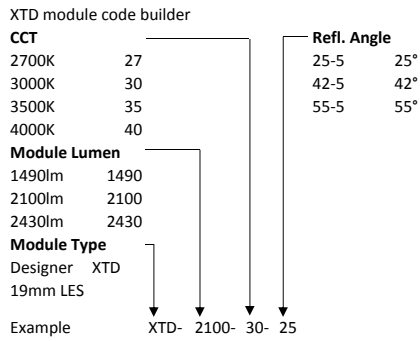
## Prospex® Pinhole Edge Washlight for Xicato XTM LED modules 91413-WLXIC

Lamp  
Xicato XTM 19mm LES Designer Series.

Module	XTD-1490lm	XDT-2100lm	XTD-2430lm
CRI	> 90	> 91	> 92
R9	55 Typical	56 Typical	57 Typical
Vf	25.8v Typical	24.4v Typical	28.4v Typical
Driver	500mA	500mA	700mA
Circuit W	12.5	19.4	23.4
Refl. Angle	43°	43°	43°
Delivered Lm	625	838	1019
Delivered Cd	1137	1526	1854
Efficacy	50	43	44
Height = Xmm	90	110	110

*Standard, Artist and Vibrant versions available on request.  
Please consult Lucent Lighting for the available options*

Dimming options\*\*\* Phase/DALI/1-10v



\*\*\*Dimming. Whilst Lucent can offer the majority of its luminaires with various dimming options, it remains the responsibility of the specifier/installer to check and ensure compatibility of any control equipment used. Additional cabling may be required depending on the dimming protocol specified.

*It is the policy of Lucent Lighting to continually review and improve its products and therefore reserve the right to change any details of product or withdraw specifications without prior notice.  
Luminaires designed to comply with EN60598 and all other relevant Standards.  
This Specification Sheet supersedes all previous versions  
All intellectual property rights pertaining to the product described above and to this document are owned by or licensed to Lucent Lighting UK Ltd.  
We reserve our right to take whatever action is necessary to protect those intellectual property rights.  
Please notify Lucent Lighting Ltd of any inaccuracies immediately. E&OE*



Job/Project Name	Area/Location	Fitting Ref	Quantity