

Prospex® Plus Conical Non-locking Accent Trimless downlight for Xicato modules 093+NL-XIC-TL

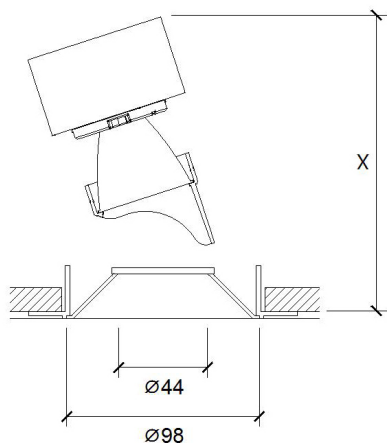
Recessed adjustable trimless downlights with conical reflector for Xicato LED module

Die cast aluminium construction.
Separate die cast plaster kit for seamless installation
Non-locking tilt and rotation. No Tools required
Trimless versions available
Toolless aiming simplifies focussing.
Deep regressed lamp for minimal glare.
IP44 as standard.



Ref Number:

093+XIC-TL-WH	White (RAL 9010)
093+XIC-TL-BK	Black (RAL 9005)



Cut out 102mm

Adjustable	45°
Aperture	90mm Ø
Overall dimension	98mm Ø
Required depth	Height +25mm Minimum clearance
First fix requirement*	Yes
Ceiling cut out	102mm Ø
Ceiling thickness	25mm MAX
Ingress protection**	IP44

***First Fix requirement.** Luminaire comprised of fixture body with separate front plate and trimless installation kit, which is to be fitted to the ceiling before skimming. Ensure correct alignment of the installation kit before the ceiling is skimmed & final assembly (see luminaire installation instructions for details).

****IP Rating.** Tested from underside of the ceiling.

*****Dimming.** Whilst Lucent can offer the majority of its luminaires with various dimming options, it remains the responsibility of the specifier/installer to check and ensure compatibility of any control equipment used. Additional cabling may be required depending on the dimming protocol specified.

It is the policy of Lucent Lighting to continually review and improve its products and therefore reserve the right to change any details of product or withdraw specifications without prior notice.

Luminaires designed to comply with EN60598 and all other relevant Standards.

This Specification Sheet supersedes all previous versions

All intellectual property rights pertaining to the product described above and to this document are owned by or licensed to Lucent Lighting UK Ltd. We reserve our right to take whatever action is necessary to protect those intellectual property rights.

Please notify Lucent Lighting Ltd of any inaccuracies immediately. E&OE

XICATO



Europe

China

Russia

Job/Project Name	Area/Location	Fitting Ref	Quantity
------------------	---------------	-------------	----------

Prospex® Plus Conical Non-locking Accent for Xicato XTM Designer LED modules 093+XIC-NL-TL/TR

Lamp

Xicato XTM 19mm LES Designer Series.

Xicato XTM 9mm LES Designer Series

Module	XTD - 1585lm			XTD - 2100lm			XTD - 3465lm			Module	XTD9-1055lm	XTD9-1300lm	XTD9-2000lm
	25°	43°	55°	25°	43°	55°	25°	43°	55°		> 90	> 90	> 90
CRI	>90			>90			>90			CRI	> 90	> 90	> 90
R9	55 Typical			55 Typical			55 Typical			R9	55 Typical	55 Typical	55 Typical
Vf	23.1v Typical			24.4v Typical			29v Typical			Vf	27.1v Typical	22.3v Typical	28.8v Typical
Driver	500mA			700mA			1050mA			Driver	500mA	700mA	1050mA
Circuit W	13.7 Typical			19.4 Typical			35.9 Typical			Circuit W	16	18.4	35.5
Refl. Angle	15°			15°			15°			Refl. Angle	15°	15°	15°
Delivered Lm	822	973	730	1089	1289	968	1796	2127	1597	Delivered Lm	525	647	995
Delivered Cd	2907	2712	1652	3851	3593	2189	6354	5928	3612	Delivered Cd	4848	5974	9191
Efficacy	60	71	53	56	66	50	50	59	44	Efficacy	33	35	28
Max. Tilt	45°			45°			45°			Max. Tilt	45°	45°	45°
Height = Xmm	161	152	152	161	152	152	185	172	172	Height = Xmm	146	146	168

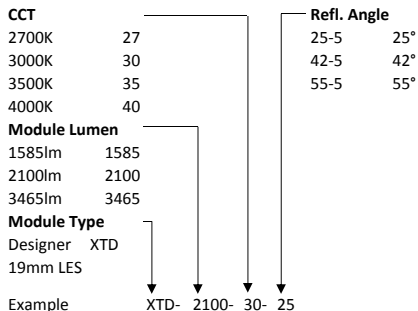
Standard, Artist and Vibrant versions available on request.
Please consult Lucent Lighting for the available options

Artist, Vibrant and XLED50 versions available on request.
Please consult Lucent Lighting for the available options

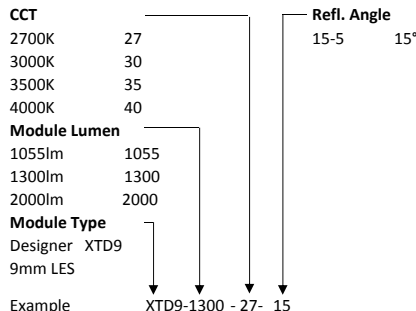
Dimming options***

Phase/DALI/1-10v

XTD module code builder



XTD9 module code builder



***Dimming. Whilst Lucent can offer the majority of its luminaires with various dimming options, it remains the responsibility of the specifier/installer to check and ensure compatibility of any control equipment used. Additional cabling may be required depending on the dimming protocol specified.

It is the policy of Lucent Lighting to continually review and improve its products and therefore reserve the right to change any details of product or withdraw specifications without prior notice.
Luminaires designed to comply with EN60598 and all other relevant Standards.
This Specification Sheet supersedes all previous versions
All intellectual property rights pertaining to the product described above and to this document are owned by or licensed to Lucent Lighting UK Ltd.
We reserve our right to take whatever action is necessary to protect those intellectual property rights.
Please notify Lucent Lighting Ltd of any inaccuracies immediately. E&OE



Job/Project Name	Area/Location	Fitting Ref	Quantity