

Prospex® Pinhole Edge Washlight for LED50 91413-WL-LED

Washlight Pinhole downlight for all Lucent LED50 modules. Edge baffle to ensure aperture is glare free and for a professional look.

45mm diameter Pinhole Aperture with deep regressed lamp position for minimal glare.

IP44 as standard

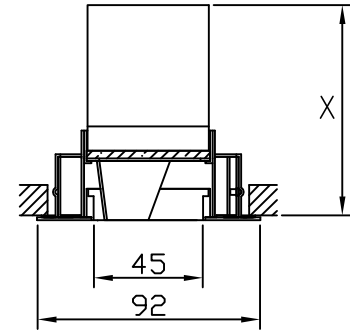
Can be installed either trim or trimless for a seamless finish
Both fixed and accent versions. 360° rotation and 25° adjustment on accent fixtures.

Trims available with overlap flange for installation into existing ceilings (suffix "-9000-PBZ" to the reference number when specifying) and Plaster in kit for seamless flush finish (suffix "-9000-PCZ" to the reference number when specifying).

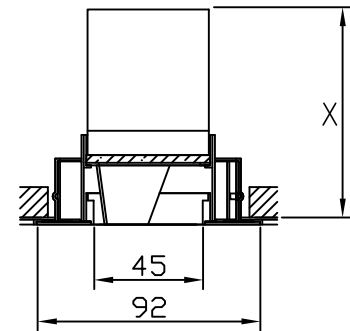
Ref Number:

91413-WL-LED-WH	White (RAL 9010)
91413-WL-LED-BK	Black (RAL 9005)

Lamp quantity	1
Lamp	LED50 ONE Range
Lamp holder	n/a
Lamp wattage	13.8 - 18.3w
Adjustable	No
Aperture	45mm Ø
Overall dimension	92mm Ø
Overall height (X)	100mm
Required depth	X + 25mm
First fix requirement*	Yes
Ceiling cut out	83mm Ø
Ceiling thickness	25mm MAX
Ingress protection**	IP44
Dimming options***	Phase/DALI/1-10v



Cut out 83mm Ø
Trimmed fixture with 9000-PBZ



Cut out 83mm Ø
Trimless fixture with 9000-PCZ

***First Fix requirement.** A choice of two installation kits. Specify:
9000-PBZ for already finished ceilings.

9000-PCZ plaster in kit for seamless installation.

****IP Rating.** Tested from underside of the ceiling.

*****Dimming.** Whilst Lucent can offer the majority of its luminaires with various dimming options, it remains the responsibility of the specifier/installer to check and ensure compatibility of any control equipment used. Additional cabling may be required depending on the dimming protocol specified.

It is the policy of Lucent Lighting to continually review and improve its products and therefore reserve the right to change any details of product or withdraw specifications without prior notice.

Luminaires designed to comply with EN60598 and all other relevant Standards.

This Specification Sheet supersedes all previous versions

All intellectual property rights pertaining to the product described above and to this document are owned by or licensed to Lucent Lighting UK Ltd.

We reserve our right to take whatever action is necessary to protect those intellectual property rights.

Please notify Lucent Lighting Ltd of any inaccuracies immediately. E&OE



Europe

China

Russia

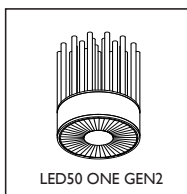
Job/Project Name

Area/Location

Fitting Ref

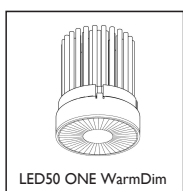
Quantity

Lucent LED50 ONE Range



Module type	LED50 ONE GEN2
LED type	Cree COB
Colour Temp.	2700/3000/4000K
Optic Angle	38
CRI	>90
Drive Current	max. 350mA
System Watts	13.8w

Type	Colour	Optic
	27	
	30	
	40	38
LED51/2	-	-



Module type	LED50 ONE WarmDim
LED type	Array
Colour Temp.	2700-2000K / 3000-2000K
Optic Angle	34°
CRI	>96 (>93 @ 2000K)
Drive Current	500mA
System Watts	17.6w

Type	Colour	Optic
	2720	
	3020	34
LED51-WD	-	-



Module type	LED50 ONE TuneableWhite
LED type	Array
Colour Temp.	5000-2000K
Optic Angle	34°
CRI	>96 (>90 @ 2000K)
Drive Current	800mA per channel
System Watts	15.1w

Type	Colour	Optic
	5020	
		34
LED51-TW	- 5020	-



Module type	LED50 ONE Ultra
LED type	Array
Colour Temp.	2700K / 3000K / 4000K
Optic Angle	35°
CRI	>96
Drive Current	700mA
System Watts	18.3w

Type	Colour	Optic
	27	
	30	
	40	35
LED51-ULT	-	-

Job/Project Name	Area/Location	Fitting Ref	Quantity