

## Prospex® Plus Conical Fixed Trimless downlight for MR16 lamps 090+MR-TL

Recessed fixed trimless downlights with conical reflector for led and low voltage MR16 lamps Die cast aluminium construction.

Separate die cast plaster kit for seamless installation

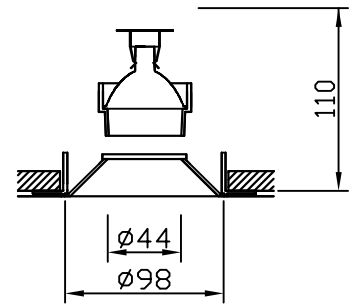
Accent & trimmed versions available.  
Deep regressed lamp for minimal glare.  
IP44 as standard.



### Ref Number:

090+MR-TL-WH	White (RAL 9010)
090+MR-TL-BK	Black (RAL 9005)

Lamp quantity	1
Lamp	MR16
Lamp holder	GU5.3
Lamp wattage	20-50w
Led wattage	12w MAX
Adjustable	No
Aperture	90mm Ø
Overall dimension	98mm Ø
Overall height	110mm
Required depth	135mm
First fix requirement*	Yes
Ceiling cut out	102mm Ø
Ceiling thickness	25mm MAX
Ingress protection**	IP44
Dimming options***	Mains leading/trailing



Cut out 102mm

**\*First Fix requirement.** Luminaire comprised of fixture body with front plate and trimless installation kit, which is to be fitted to the ceiling before skimming. Ensure correct alignment of the installation kit before the ceiling is skimmed & final assembly (see luminaire installation instructions for details).

**\*\*IP Rating.** Tested from underside of the ceiling.

**\*\*\*Dimming.** Whilst Lucent can offer the majority of its luminaires with various dimming options, it remains the responsibility of the specifier/installer to check and ensure compatibility of any control equipment used. Additional cabling may be required depending on the dimming protocol specified.

It is the policy of Lucent Lighting to continually review and improve its products and therefore reserve the right to change any details of product or withdraw specifications without prior notice.

Luminaires designed to comply with EN60598 and all other relevant Standards.

This Specification Sheet supersedes all previous versions

All intellectual property rights pertaining to the product described above and to this document are owned by or licensed to Lucent Lighting UK Ltd.

We reserve our right to take whatever action is necessary to protect those intellectual property rights.

Please notify Lucent Lighting Ltd of any inaccuracies immediately. E&OE



Job/Project Name	Area/Location	Fitting Ref	Quantity

Contact Lucent Lighting: e: info@lucent-lighting.com t: +44 (0)20 8442 0880