

Prospex® Pinhole Edge Washlight for GU10 lamps 91413-WL-GU

Washlight Pinhole downlights for mains voltage Led or halogen GU10 lamps.

Edge baffle to ensure aperture is glare free and for a professional look.

45mm diameter Pinhole Aperture with deep regressed lamp position for minimal glare.

IP44 as standard

Can be installed either trim or trimless for a seamless finish

Both fixed and accent versions. 360° rotation and 35° adjustment on accent fixtures.

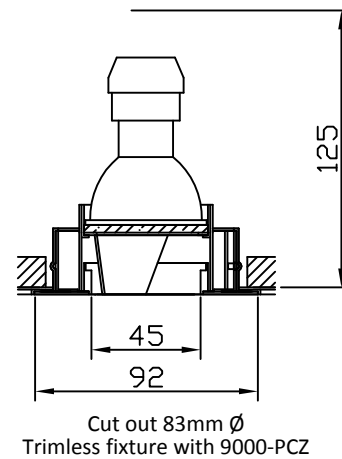
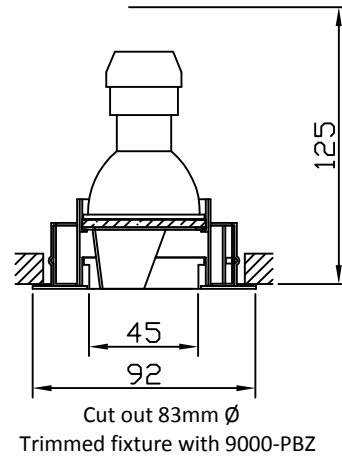
Trims available with overlap flange for installation into existing ceilings (suffix "-9000-PBZ" to the reference number when specifying) and Plaster in kit for seamless flush finish (suffix "-9000-PCZ" to the reference number when specifying)



Ref Number:

91413-WL-GU-WH	White (RAL 9010)
91413-WL-GU-BK	Black (RAL 9005)

Lamp quantity	1
Lamp	GU10
Lamp base	GU10
Led wattage	12w
Lamp wattage	20-50w
Adjustable	No
Aperture	45mm Ø
Overall diameter	92mm Ø
Overall height	125mm
Required depth	150mm
First fix requirement*	Yes
Ceiling cut out	83mm Ø
Ceiling thickness	20mm MAX
Ingress protection**	IP44
Dimming options***	Please ask



***First Fix requirement.** A choice of two installation kits. Specify:

9000-PBZ for already finished ceilings.

9000-PCZ plaster in kit for seamless installation.

****IP Rating.** Tested from underside of the ceiling.

*****Dimming.** Whilst Lucent can offer the majority of its luminaires with various dimming options, it remains the responsibility of the specifier/installer to check and ensure compatibility of any control equipment used. Additional cabling may be required depending on the dimming protocol specified.

It is the policy of Lucent Lighting to continually review and improve its products and therefore reserve the right to change any details of product or withdraw specifications without prior notice.

Luminaires designed to comply with EN60598 and all other relevant Standards.

This Specification Sheet supersedes all previous versions

All intellectual property rights pertaining to the product described above and to this document are owned by or licensed to Lucent Lighting UK Ltd.

We reserve our right to take whatever action is necessary to protect those intellectual property rights.

Please notify Lucent Lighting Ltd of any inaccuracies immediately. E&OE



Job/Project Name	Area/Location	Fitting Ref	Quantity
------------------	---------------	-------------	----------