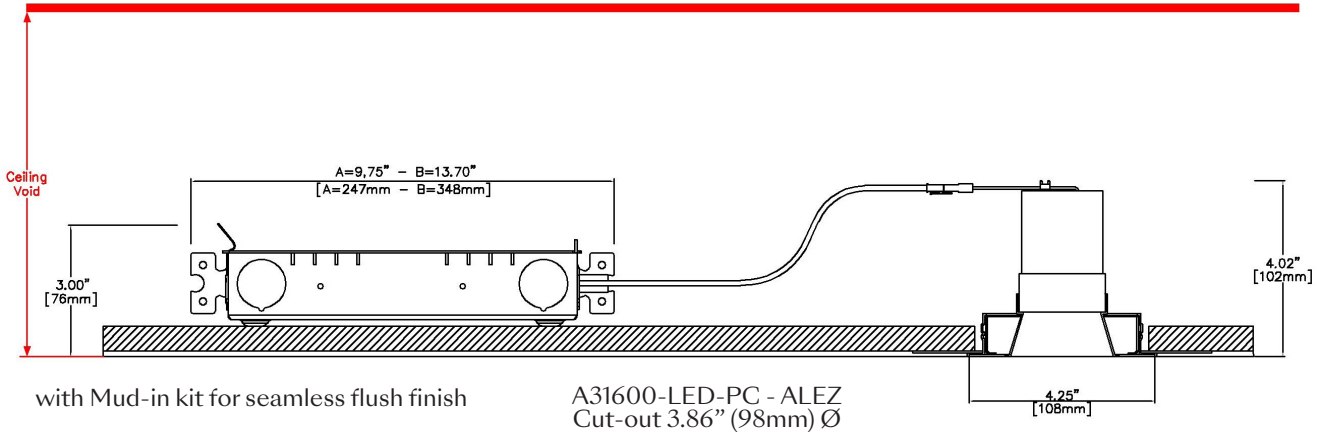
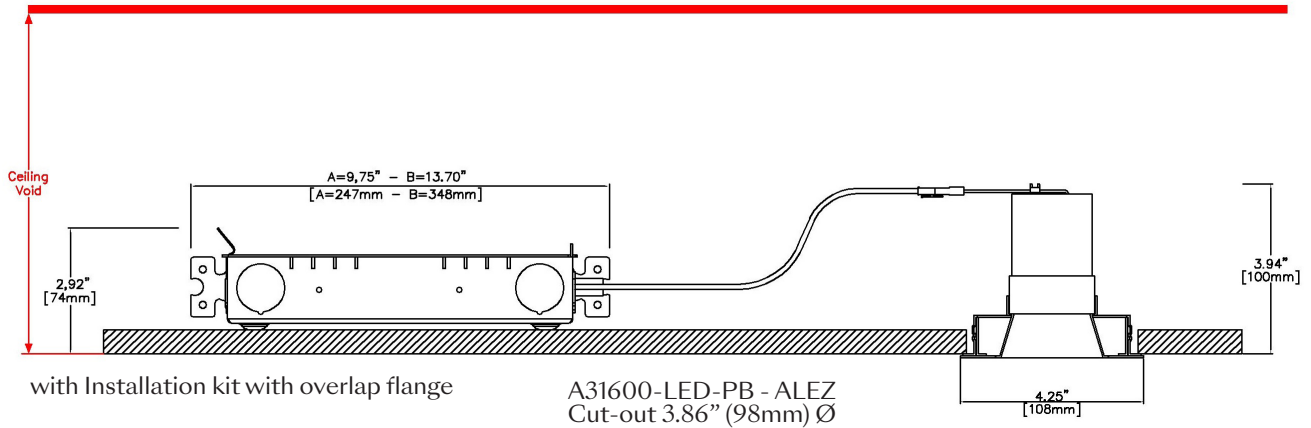


EasyFit Duo Fixed



4.25" (108mm) overall diameter. Available with a separate installation kit with overlap flange or mud-in kit for seamless flush finish. Adjustable and wallwash version available. Supplied with a remote driver box and a plug and play tethered power supply. Also for mounting to T-Bar on grid ceilings.



LED Source	LED51/2	LED51/2	LED51/2	LED51/2	LED51/U	LED51/U	LED51/U	LED51/U
CCT	3000K	3000K	3000K	3000K	3000K	3000K	3000K	3000K
Drive Current	350mA	350mA	350mA	350mA	350mA	350mA	350mA	350mA
Power inc Driver	13.6W	13.6W	13.6W	13.6W	13.6W	13.6W	13.6W	13.6W
Beam Angle	12°	24°	38°	55°	12°	24°	38°	55°
Delivered Lumens	832	895	1025	1073	777	755	889	904
Delivered Intensity cd	10738	4392	2961	1243	10709	4104	2286	1046
Efficacy lm/w	60	65	74	79	57	56	65	67
Forward Volt	33V	33V	33V	33V	33V	33V	33V	33V
CRI	≥90 CRI	≥90 CRI	≥90 CRI	≥90 CRI	≥98 CRI	≥98 CRI	≥98 CRI	≥98 CRI

Ceiling void minimum depth: Driver box A - 11.00" (280mm) / Driver box B - 14.96" (380mm)

Project Ref: _____

Location Ref: _____

Specify fixture part number (All boxes must be filled in to correctly order)

A31600-LED								ALEZ			
------------	--	--	--	--	--	--	--	------	--	--	--

Installation _____

- PB** Installation kit with overlap flange
- PC** Mud-in kit for seamless flush finish

Finish _____

- WH** White
- BK** Black
- RAL** Custom*

Location _____

- XX** Dry
- DP** Damp
- WT** Wet

Ceiling Thickness _____

- SC** Standard Ceiling (1/2"-5/8"-3/4")
- C** Custom

LED Type _____

- LED51/2** LED51/2 (90CRI)
- LED51/U** LED51/U (98CRI - Not available with 4000K)

CCT _____

- 27** 2700K
- 30** 3000K
- 35** 3500K
- 40** 4000K (90 CRI ONLY)

Beam Angles _____

- 12** 12
- 24** 24
- 38** 38
- 55** 55

EasyFit _____

- ALEZ** Lucent EasyFit

Supply Voltage _____

- 120** 120V
- 277** 277V

Dimming Protocol _____

- S** Non-Dimmable (Driver Box A - 9.75")
- P** TRIAC/Phase (120V ONLY) (Driver Box A - 9.75")
- LPE** Lutron Hi-Lume Premier 0.1% EcoSystem (Driver Box A - 9.75")
- A** Analog (0-10V) (Driver Box A - 9.75")
- ESD** EldoLED Solo DALI (0.1% Dimming) (Driver Box B - 13.70")
- EED** EldoLED Eco DALI (1% Dimming) (Driver Box B - 13.70")
- ESA** EldoLED Solo Analog (0-10V) (0.1% Dimming) (Driver Box B - 13.70")
- EEA** EldoLED Eco Analog (0-10V) (1% Dimming) (Driver Box B - 13.70")

Louvre/Lens _____

- XX** Not required
- LL45** Honeycomb
- LLCC** Warm Tone
- LLUV** UV
- LLDF** Solite/Diffusing
- LLFR** Frosted Lens
- LLLS** Linear Spread
- LLHS** Heavy Spread

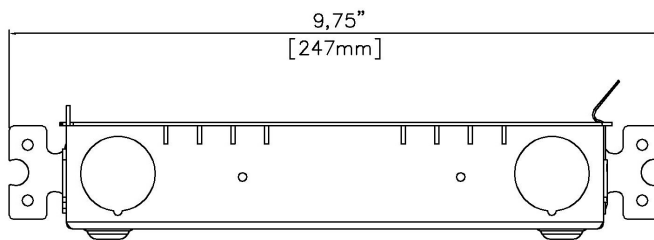
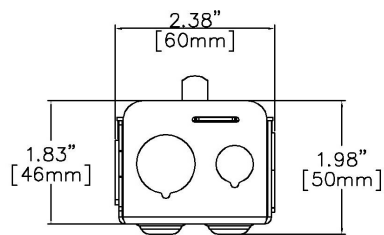


NIC - No contact with insulation

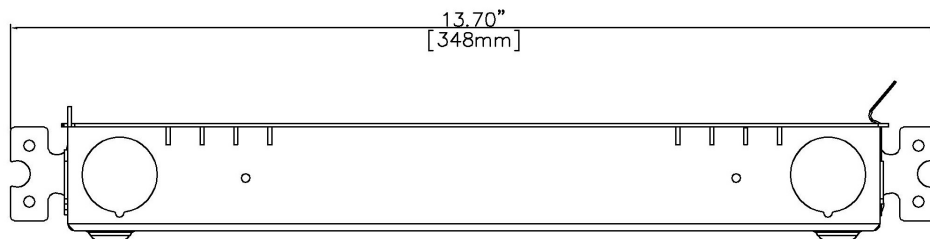
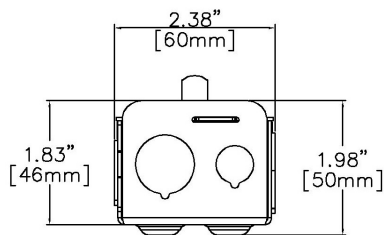
Ceiling void minimum depth: Driver box A - 11.00" (280mm) / Driver box B - 14.96" (380mm)

Driver Boxes

Driver Box A



Driver Box B

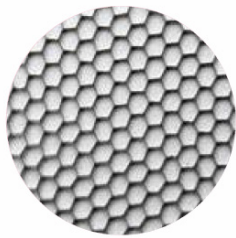


Installation kit with overlap flange



Mud-in kit for seamless flush finish

Ceiling void minimum depth: Driver box A - 11.00" (280mm) / Driver box B - 14.96" (380mm)



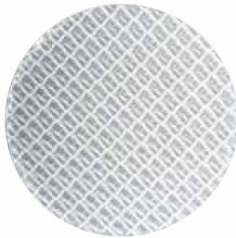
Honeycomb Louvre (LL45)



Solite/Diffusing Lens (LLDF)



Frosted Lens (LLFR)



Heavy Spread Lens (LLHS)



Linear Spread Lens (LLLS)



Warm Tone (LLCC)

.....
Technical Details

*Custom RAL code must be specified. Custom RAL colours can increase prices and lead times

Dimming. Whilst Lucent can offer the majority of its luminaires with various dimming options, it remains the responsibility of the specifier/installer to check and ensure compatibility of any control equipment used. Additional cabling may be required depending on the dimming protocol specified.

^ Depth indicated is the minimum recess depth for the luminaire with a remote mounted LED driver. Installing a driver through either the luminaire cut-out or installation kit may require additional recess depth, please refer to the relevant luminaire installation instructions for further details. Data correct at time of publishing

First Fix Requirement. Luminaire comprised of fixture body with ceiling trim and installation kit, which is to be fitted into the ceiling once finished. Ensure correct alignment of the installation kit before final assembly (see luminaire installation instructions for details)

Location. Tested from underside of the ceiling

It is the policy of Lucent Lighting to continually review and improve its products and therefore reserve the right to change any details of product or withdraw specifications without prior notice.

This specification sheet superseded all previous versions.

All intellectual property rights pertaining to the product described above and to this document are owned by or licensed to Lucent Lighting Ltd.

We reserve the right to take whatever action is necessary to protect those intellectual property rights.

Please notify Lucent Lighting Ltd of any inaccuracies immediately. E&OE

.....



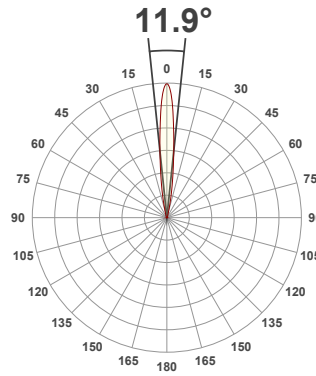
Light efficiency:



Light quality:



Color temperature:



Product name:

Duo Fixed_Accent - LED50 ONE GEN2, 3000K, 12°, 350mA

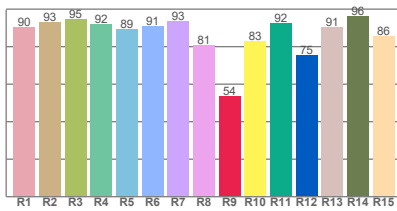
Item number:

31600_31603 - LED51/2-30-12-350mA

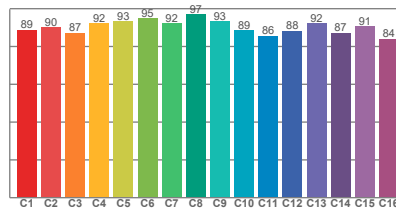
Delivered information for above fixture and LED combination.

Output: 832 Lumen Peak intensity: 10738 cd Power consumption: 13.6

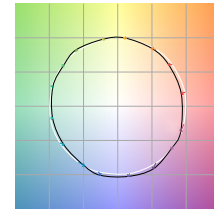
CRI R values



TM30 C Values

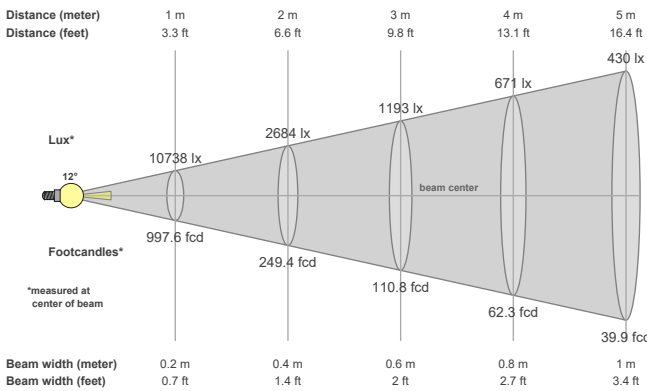


Color vector graphics



Color temperature	Color rendering index	Red component	Color fidelity	Color gamut	Color quality scale	Color coordinate cie 1931	Color coordinate cie 1931	Color coordinate	Color coordinate	Color deviation from black body
CCT	CRI	CRI R9	TM30 Rf	TM30 Rg	CQS	x	y	u	v	Δuv
3000 K	90.6	53.6	90.2	98.9	89.9	0.437	0.404	0.250	0.350	0.0028

Beam details



Beam angels

Beam angle 50%	Field angle 10%	Cutoff angle 2,5%
11.9°	25.4°	39.6°

Beam intensities

Peak intensity	Int. ratio in 120° cone	Int. ratio in 90° cone
10738 cd	98.5%	97.1%

Beam intensities from 1-20m

1m	2m	3m	4m	5m	6m	7m	8m	9m	10m	11m	12m	13m	14m	15m	16m	17m	18m	19m	20m
3.3ft	6.6ft	9.8ft	13.1ft	16.4ft	19.7ft	23ft	26.2ft	29.5ft	32.8ft	36.1ft	39.4ft	42.7ft	45.9ft	49.2ft	52.5ft	55.8ft	59.1ft	62.3ft	65.6ft
10738lx	2684lx	1193lx	671lx	430lx	298lx	219lx	168lx	133lx	107lx	89lx	75lx	64lx	55lx	48lx	42lx	37lx	33lx	30lx	27lx
997.6fcd	249.4fcd	110.8fcd	62.3fcd	39.9fcd	27.7fcd	20.4fcd	15.6fcd	12.3fcd	10fcd	8.2fcd	6.9fcd	5.9fcd	5.1fcd	4.4fcd	3.9fcd	3.5fcd	3.1fcd	2.8fcd	2.5fcd

The above information is for 3000K colour temperature, for specific module information please see LED spec located on our website

For information regarding other colour temperatures please use the following factors for lumen output and candelas:

2700K = 1
4000K = 1.084

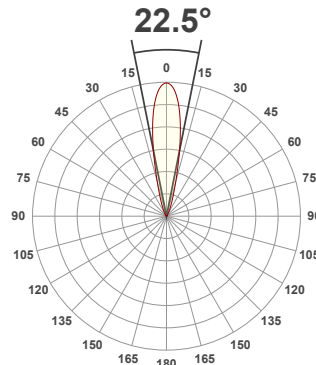
Light efficiency:



Light quality:



Color temperature:



Product name:

Duo Fixed_Accent - LED50 ONE GEN2, 3000K, 24°, 350mA

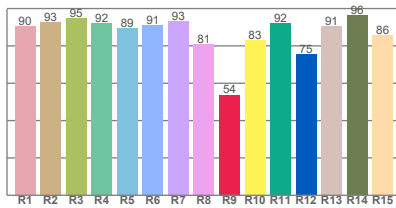
Item number:

31600_31603 - LED51/2-30-24-350mA

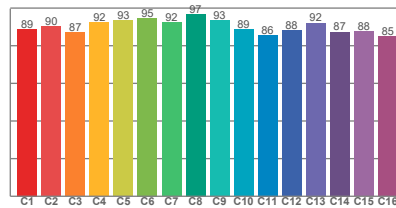
Delivered information for above fixture and LED combination.

Output: 895 Lumen Peak intensity: 4392 cd Power consumption: 13.6

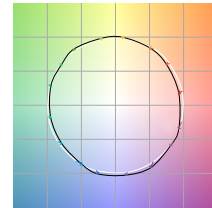
CRI R values



TM30 C Values

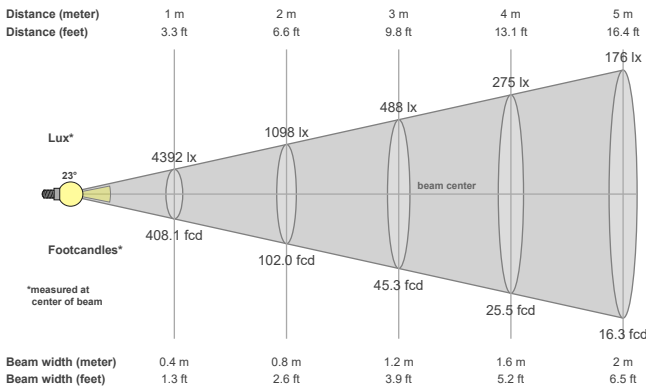


Color vector graphics



Color temperature	Color rendering index	Red component	Color fidelity	Color gamut	Color quality scale	Color coordinate cie 1931	Color coordinate cie 1931	Color coordinate	Color coordinate	Color deviation from black body
CCT	CRI	CRI R9	TM30 Rf	TM30 Rg	CQS	x	y	u	v	Δuv
3000 K	90.6	53.8	90.2	99.1	89.9	0.437	0.404	0.250	0.350	0.0027

Beam details



Beam angles

Beam angle 50%	Field angle 10%	Cutoff angle 2,5%
22.5°	42.6°	65.1°

Beam intensities

Peak intensity	Int. ratio in 120° cone	Int. ratio in 90° cone
4392 cd	98.7%	97.2%

Beam intensities from 1-20m

1m	2m	3m	4m	5m	6m	7m	8m	9m	10m	11m	12m	13m	14m	15m	16m	17m	18m	19m	20m
3.3ft	6.6ft	9.8ft	13.1ft	16.4ft	19.7ft	23ft	26.2ft	29.5ft	32.8ft	36.1ft	39.4ft	42.7ft	45.9ft	49.2ft	52.5ft	55.8ft	59.1ft	62.3ft	65.6ft
4392lx	1098lx	488lx	275lx	176lx	122lx	90lx	69lx	54lx	44lx	36lx	31lx	26lx	22lx	20lx	17lx	15lx	14lx	12lx	11lx
408.1fcd	102fcd	45.3fcd	25.5fcd	16.3fcd	11.3fcd	8.3fcd	6.4fcd	5fcd	4.1fcd	3.4fcd	2.8fcd	2.4fcd	2.1fcd	1.8fcd	1.6fcd	1.4fcd	1.3fcd	1.1fcd	1fcd

The above information is for 3000K colour temperature, for specific module information please see LED spec located on our website

For information regarding other colour temperatures please use the following factors for lumen output and candelas:

2700K = 1
4000K = 1.084

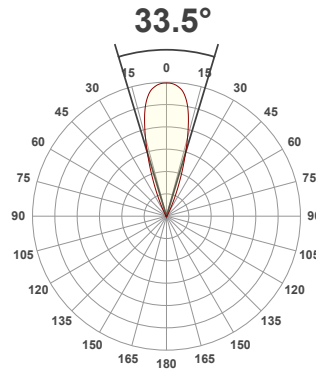
Light efficiency:



Light quality:



Color temperature:



Product name:

**Duo Fixed_Accent - LED50
ONE GEN2, 3000K, 38°, 350mA**

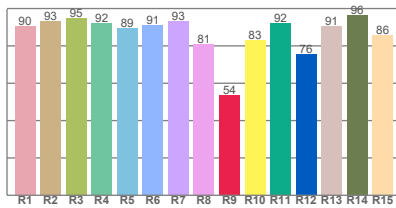
Item number:

**31600_31603 -
LED51/2-30-38-350mA**

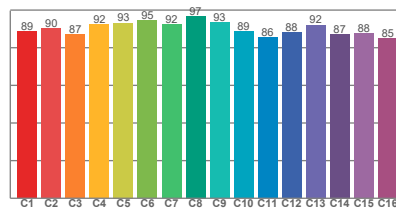
**Delivered information for
above fixture and LED
combination.**

Output: 1025 Lumen Peak intensity: 2961 cd Power consumption: 13.6

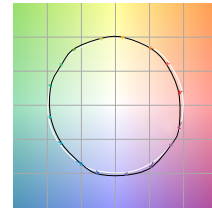
CRI R values



TM30 C Values

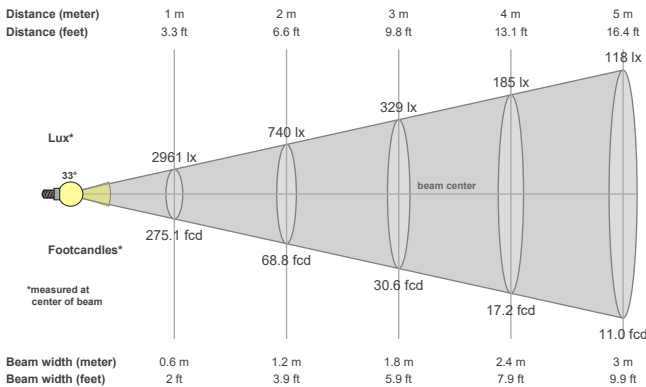


Color vector graphics



Color temperature	Color rendering index	Red component	Color fidelity	Color gamut	Color quality scale	Color coordinate cie 1931	Color coordinate cie 1931	Color coordinate	Color coordinate	Color deviation from black body
CCT	CRI	CRI R9	TM30 Rf	TM30 Rg	CQS	x	y	u	v	Δuv
3000 K	90.6	53.6	90.1	99.1	89.8	0.437	0.404	0.250	0.350	0.0026

Beam details



Beam angles

Beam angle 50%	Field angle 10%	Cutoff angle 2,5%
33.5°	51.2°	67.7°

Beam intensities

Peak intensity	Int. ratio in 120° cone	Int. ratio in 90° cone
2961 cd	96.0%	95.0%

Beam intensities from 1-20m

1m	2m	3m	4m	5m	6m	7m	8m	9m	10m	11m	12m	13m	14m	15m	16m	17m	18m	19m	20m
3.3ft	6.6ft	9.8ft	13.1ft	16.4ft	19.7ft	23ft	26.2ft	29.5ft	32.8ft	36.1ft	39.4ft	42.7ft	45.9ft	49.2ft	52.5ft	55.8ft	59.1ft	62.3ft	65.6ft
2961lx	740lx	329lx	185lx	118lx	82lx	60lx	46lx	37lx	30lx	24lx	21lx	18lx	15lx	13lx	12lx	10lx	9lx	8lx	7lx
275.1fcd	68.8fcd	30.6fcd	17.2fcd	11fcd	7.6fcd	5.6fcd	4.3fcd	3.4fcd	2.8fcd	2.3fcd	1.9fcd	1.6fcd	1.4fcd	1.2fcd	1.1fcd	1fcd	0.8fcd	0.8fcd	0.7fcd

The above information is for 3000K colour temperature, for specific module information please see LED spec located on our website

For information regarding other colour temperatures please use the following factors for lumen output and candelas:

2700K = 1
4000K = 1.084

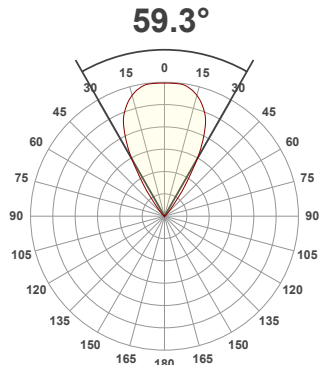
Light efficiency:



Light quality:



Color temperature:



Product name:

**Duo Fixed_Accent - LED50
ONE GEN2, 3000K, 55°, 350mA**

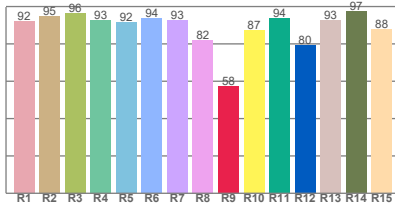
Item number:

**31600_31603 -
LED51/2-30-55-350mA**

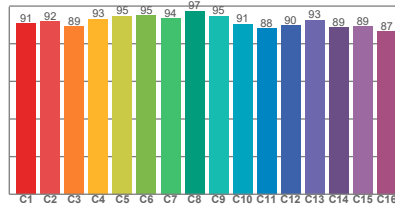
**Delivered information for
above fixture and LED
combination.**

Output: 1073 Lumen Peak intensity: 1243 cd Power consumption: 13.6

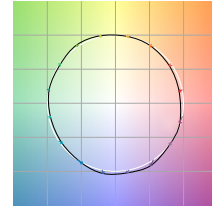
CRI R values



TM30 C Values

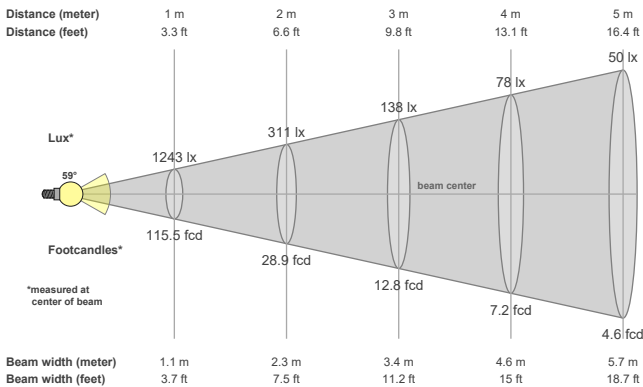


Color vector graphics



Color temperature	Color rendering index	Red component	Color fidelity	Color gamut	Color quality scale	Color coordinate cie 1931	Color coordinate cie 1931	Color coordinate	Color coordinate	Color deviation from black body
CCT	CRI	CRI R9	TM30 Rf	TM30 Rg	CQS	x	y	u	v	Δuv
3000 K	92.0	57.6	91.6	99.7	90.5	0.437	0.404	0.251	0.348	0.0007

Beam details



Beam angles

Beam angle 50%	Field angle 10%	Cutoff angle 2,5%
59.3°	77.8°	93.4°

Beam intensities

Peak intensity	Int. ratio in 120° cone	Int. ratio in 90° cone
1243 cd	99.6%	97.9%

Beam intensities from 1-20m

1m	2m	3m	4m	5m	6m	7m	8m	9m	10m	11m	12m	13m	14m	15m	16m	17m	18m	19m	20m
3.3ft	6.6ft	9.8ft	13.1ft	16.4ft	19.7ft	23ft	26.2ft	29.5ft	32.8ft	36.1ft	39.4ft	42.7ft	45.9ft	49.2ft	52.5ft	55.8ft	59.1ft	62.3ft	65.6ft
1243lx	311lx	138lx	78lx	50lx	35lx	25lx	19lx	15lx	12lx	10lx	9lx	7lx	6lx	6lx	5lx	4lx	4lx	3lx	3lx
115.5fcd	28.9fcd	12.8fcd	7.2fcd	4.6fcd	3.2fcd	2.4fcd	1.8fcd	1.4fcd	1.2fcd	1fcd	0.8fcd	0.7fcd	0.6fcd	0.5fcd	0.5fcd	0.4fcd	0.4fcd	0.3fcd	0.3fcd

The above information is for 3000K colour temperature, for specific module information please see LED spec located on our website

For information regarding other colour temperatures please use the following factors for lumen output and candelas:

2700K = 1
4000K = 1.084

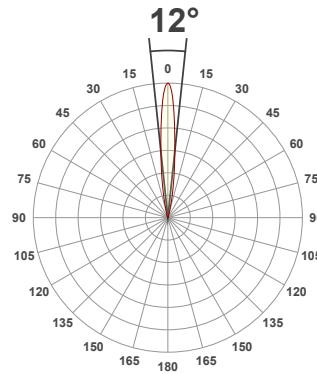
Light efficiency:



Light quality:



Color temperature:



Product name:

31600_31603-LED - LED51_U-30-12-350mA

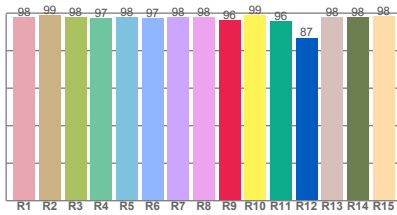
Item number:

Duo Fixed/Accent - LED51/ U-30-12-350mA

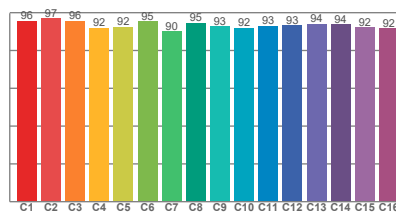
Delivered information for above fixture and LED combination.

Output: 777 Lumen Peak intensity: 10709 cd Power consumption: 13.6

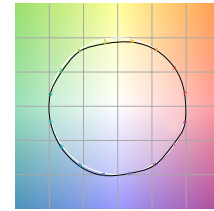
CRI R values



TM30 C Values

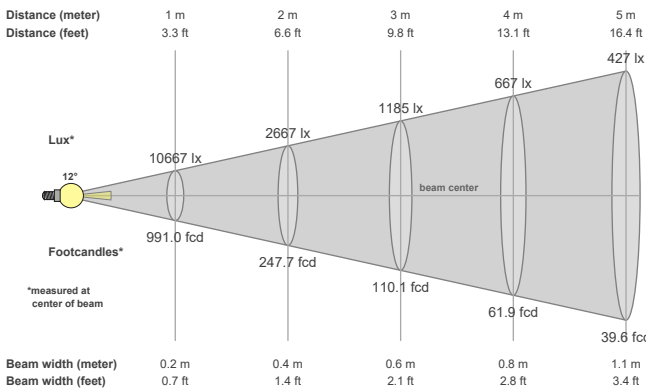


Color vector graphics



Color temperature	Color rendering index	Red component	Color fidelity	Color gamut	Color quality scale	Color coordinate cie 1931	Color coordinate cie 1931	Color coordinate	Color coordinate	Color deviation from black body
CCT	CRI	CRI R9	TM30 Rf	TM30 Rg	CQS	x	y	u	v	Δuv
3000 K	97.9	96.0	93.7	98.8	94.7	0.437	0.404	0.249	0.349	0.0017

Beam details



Beam angels

Beam angle 50%	Field angle 10%	Cutoff angle 2,5%
12°	25.5°	35.7°

Beam intensities

Peak intensity	Int. ratio in 120° cone	Int. ratio in 90° cone
10709 cd	99.3%	98.2%

Beam intensities from 1-20m

1m	2m	3m	4m	5m	6m	7m	8m	9m	10m	11m	12m	13m	14m	15m	16m	17m	18m	19m	20m
3.3ft	6.6ft	9.8ft	13.1ft	16.4ft	19.7ft	23ft	26.2ft	29.5ft	32.8ft	36.1ft	39.4ft	42.7ft	45.9ft	49.2ft	52.5ft	55.8ft	59.1ft	62.3ft	65.6ft
10667lx	2667lx	1185lx	667lx	427lx	296lx	218lx	167lx	132lx	107lx	88lx	74lx	63lx	54lx	47lx	42lx	37lx	33lx	30lx	27lx
991fcd	247.7fcd	110.1fcd	61.9fcd	39.6fcd	27.5fcd	20.2fcd	15.5fcd	12.2fcd	9.9fcd	8.2fcd	6.9fcd	5.9fcd	5.1fcd	4.4fcd	3.9fcd	3.4fcd	3.1fcd	2.7fcd	2.5fcd

The above information is for 3000K colour temperature, for specific module information please see LED spec located on our website

For information regarding other colour temperatures please use the following factors for lumen output and candelas:

2700K = 1

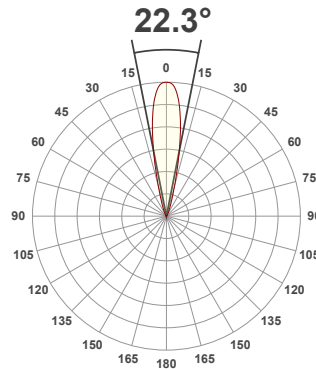
Light efficiency:



Light quality:



Color temperature:



Product name:

31600_31603-LED - LED51_U-30-24-350mA

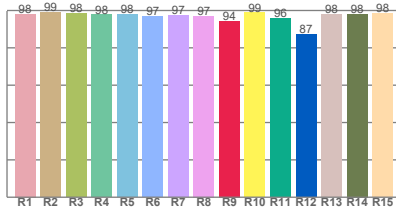
Item number:

Duo Fixed/Accent - LED51_U-30-24-350mA

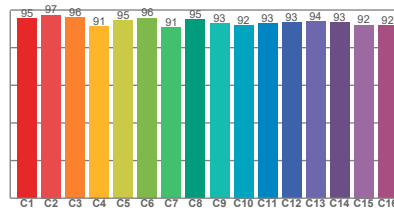
Delivered information for above fixture and LED combination.

Output: 755 Lumen Peak intensity: 4104 cd Power consumption: 13.6

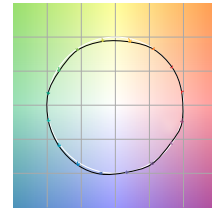
CRI R values



TM30 C Values

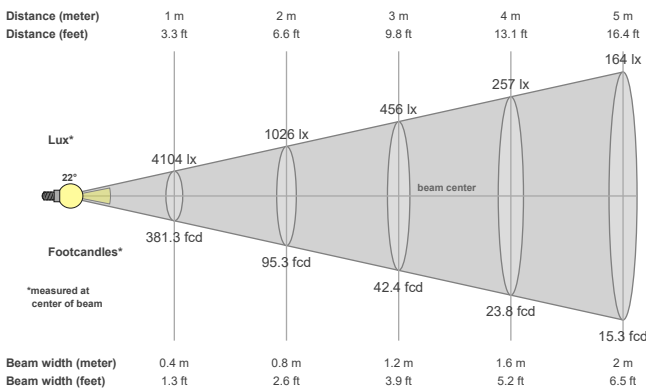


Color vector graphics



Color temperature	Color rendering index	Red component	Color fidelity	Color gamut	Color quality scale	Color coordinate cie 1931	Color coordinate cie 1931	Color coordinate	Color coordinate	Color deviation from black body
CCT	CRI	CRI R9	TM30 Rf	TM30 Rg	CQS	x	y	u	v	Δuv
3000 K	97.8	94.3	93.8	99.0	95.2	0.437	0.404	0.251	0.349	0.0010

Beam details



Beam angles

Beam angle 50%	Field angle 10%	Cutoff angle 2,5%
22.3°	39.3°	58.8°

Beam intensities

Peak intensity	Int. ratio in 120° cone	Int. ratio in 90° cone
4104 cd	99.4%	98.3%

Beam intensities from 1-20m

1m	2m	3m	4m	5m	6m	7m	8m	9m	10m	11m	12m	13m	14m	15m	16m	17m	18m	19m	20m
3.3ft	6.6ft	9.8ft	13.1ft	16.4ft	19.7ft	23ft	26.2ft	29.5ft	32.8ft	36.1ft	39.4ft	42.7ft	45.9ft	49.2ft	52.5ft	55.8ft	59.1ft	62.3ft	65.6ft
4104lx	1026lx	456lx	257lx	164lx	114lx	84lx	64lx	51lx	41lx	34lx	29lx	24lx	21lx	18lx	16lx	14lx	13lx	11lx	10lx
381.3fcd	95.3fcd	42.4fcd	23.8fcd	15.3fcd	10.6fcd	7.8fcd	6fcd	4.7fcd	3.8fcd	3.2fcd	2.6fcd	2.3fcd	1.9fcd	1.7fcd	1.5fcd	1.3fcd	1.2fcd	1.1fcd	1fcd

The above information is for 3000K colour temperature, for specific module information please see LED spec located on our website

For information regarding other colour temperatures please use the following factors for lumen output and candelas:

2700K = 1

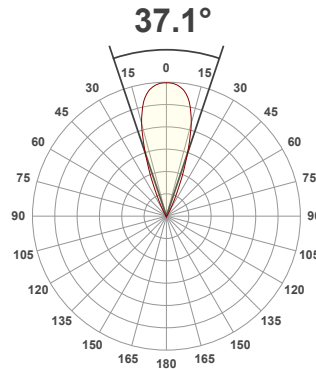
Light efficiency:



Light quality:



Color temperature:



Product name:

31600_31603-LED - LED51_U-30-38-350mA

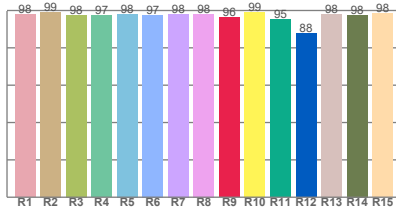
Item number:

Duo Fixed/Accent - LED51_U-30-38-350mA

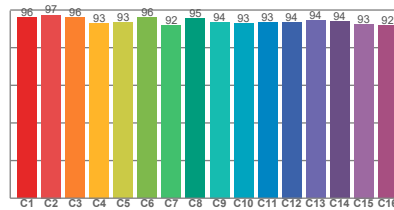
Delivered information for above fixture and LED combination.

Output: 889 Lumen Peak intensity: 2286 cd Power consumption: 13.6

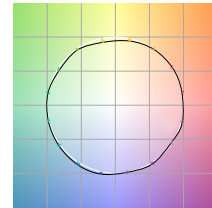
CRI R values



TM30 C Values

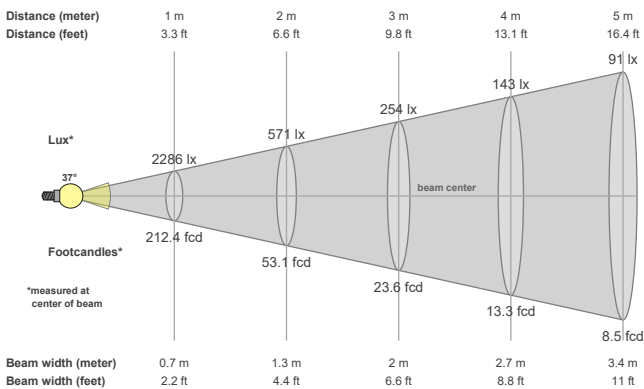


Color vector graphics



Color temperature	Color rendering index	Red component	Color fidelity	Color gamut	Color quality scale	Color coordinate cie 1931	Color coordinate cie 1931	Color coordinate	Color coordinate	Color deviation from black body
CCT	CRI	CRI R9	TM30 Rf	TM30 Rg	CQS	x	y	u	v	Δuv
3000 K	98.0	96.2	94.2	99.3	95.3	0.437	0.404	0.250	0.349	0.0013

Beam details



Beam angles

Beam angle 50%	Field angle 10%	Cutoff angle 2,5%
37.1°	54.4°	71.4°

Beam intensities

Peak intensity	Int. ratio in 120° cone	Int. ratio in 90° cone
2286 cd	99.6%	98.7%

Beam intensities from 1-20m

1m	2m	3m	4m	5m	6m	7m	8m	9m	10m	11m	12m	13m	14m	15m	16m	17m	18m	19m	20m
3.3ft	6.6ft	9.8ft	13.1ft	16.4ft	19.7ft	23ft	26.2ft	29.5ft	32.8ft	36.1ft	39.4ft	42.7ft	45.9ft	49.2ft	52.5ft	55.8ft	59.1ft	62.3ft	65.6ft
2286lx	571lx	254lx	143lx	91lx	63lx	47lx	36lx	28lx	23lx	19lx	16lx	14lx	12lx	10lx	9lx	8lx	7lx	6lx	6lx
212.4fcd	53.1fcd	23.6fcd	13.3fcd	8.5fcd	5.9fcd	4.3fcd	3.3fcd	2.6fcd	2.1fcd	1.8fcd	1.5fcd	1.3fcd	1.1fcd	0.9fcd	0.8fcd	0.7fcd	0.7fcd	0.6fcd	0.5fcd

The above information is for 3000K colour temperature, for specific module information please see LED spec located on our website

For information regarding other colour temperatures please use the following factors for lumen output and candelas:

2700K = 1

Light efficiency:

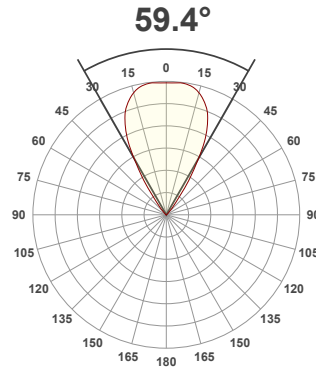
67 Lumen/Watt

Light quality:

CRI: 98.0

Color temperature:

3000 K



Product name:

31600_31603-LED - LED51_U-30-55-350mA

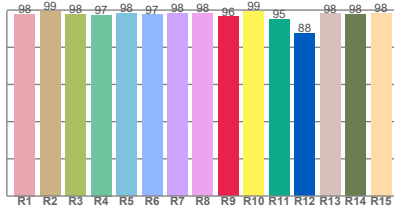
Item number:

Duo Fixed/Accent - LED51_U-30-55-350mA

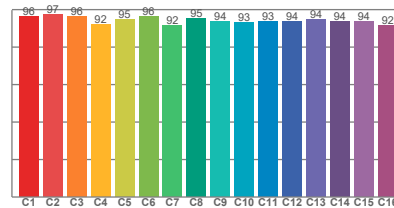
Delivered information for above fixture and LED combination.

Output: 904 Lumen Peak intensity: 1046 cd Power consumption: 13.6

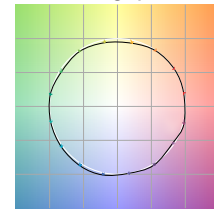
CRI R values



TM30 C Values

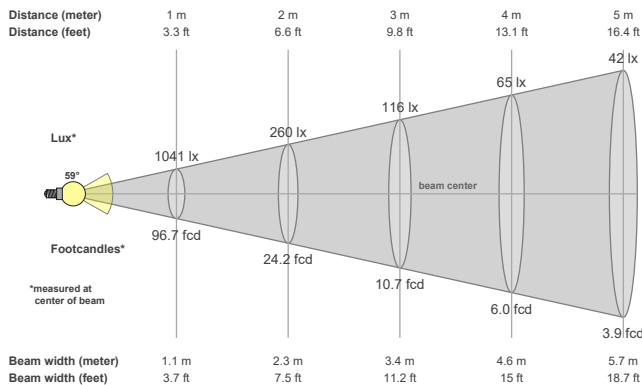


Color vector graphics



Color temperature	Color rendering index	Red component	Color fidelity	Color gamut	Color quality scale	Color coordinate cie 1931	Color coordinate cie 1931	Color coordinate	Color coordinate	Color deviation from black body
CCT	CRI	CRI R9	TM30 Rf	TM30 Rg	CQS	x	y	u	v	Δuv
3000 K	98.0	96.3	94.3	99.2	95.3	0.437	0.404	0.250	0.349	0.0014

Beam details



Beam angles

Beam angle 50%	Field angle 10%	Cutoff angle 2,5%
59.4°	77.6°	92.5°

Beam intensities

Peak intensity	Int. ratio in 120° cone	Int. ratio in 90° cone
1046 cd	99.6%	98.1%

Beam intensities from 1-20m

1m	2m	3m	4m	5m	6m	7m	8m	9m	10m	11m	12m	13m	14m	15m	16m	17m	18m	19m	20m
3.3ft	6.6ft	9.8ft	13.1ft	16.4ft	19.7ft	23ft	26.2ft	29.5ft	32.8ft	36.1ft	39.4ft	42.7ft	45.9ft	49.2ft	52.5ft	55.8ft	59.1ft	62.3ft	65.6ft
1041lx	260lx	116lx	65lx	42lx	29lx	21lx	16lx	13lx	10lx	9lx	7lx	6lx	5lx	5lx	4lx	4lx	3lx	3lx	3lx
96.7fcd	24.2fcd	10.7fcd	6fcd	3.9fcd	2.7fcd	2fcd	1.5fcd	1.2fcd	1fcd	0.8fcd	0.7fcd	0.6fcd	0.5fcd	0.4fcd	0.4fcd	0.3fcd	0.3fcd	0.3fcd	0.2fcd

The above information is for 3000K colour temperature, for specific module information please see LED spec located on our website

For information regarding other colour temperatures please use the following factors for lumen output and candelas:

2700K = 1