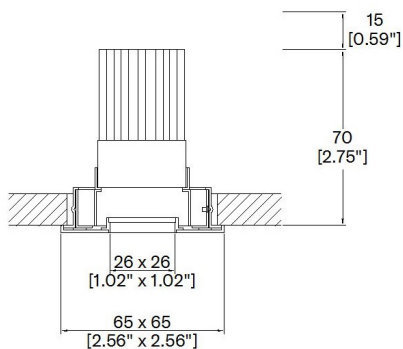


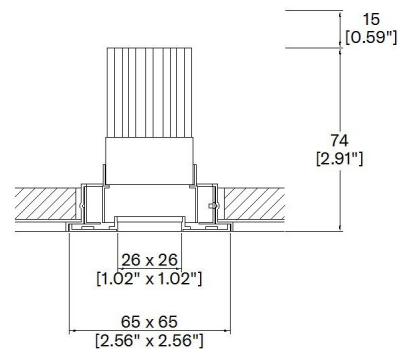
## ProSpex Square Edge60 Fixed



65 x 65mm (2.56" x 2.56") overall dimension. Available with standard trim kit or plaster-in kit for flush appearance. Family of matching products also available. Required depth height + 15mm^



61433-F-LED + 6000-PBZ-SQ  
Cut-out 60mm Ø



61433-F-LED + 6000-PCZ-SQ  
Cut-out 60mm Ø

LED Source	LED35/2	LED35/2	LED35/2
CCT	3000K	3000K	3000K
Drive Current	350mA	350mA	350mA
Power inc Driver	7.4W	7.4W	7.4W
Beam Angle	15°	24°	36°
Delivered Lumens	375	336	332
Delivered Intensisty cd	2831	1762	1192
Efficacy lm/w	51	45	45
Forward Volt	18V	18V	18V
CRI	≥90 CRI	≥90 CRI	≥90 CRI

Project Ref: \_\_\_\_\_

Location Ref: \_\_\_\_\_

Fixture Order Code:  -  -  -

Fixture  
61433-F-LED      Square Edge60 Fixed with LED35 GEN2

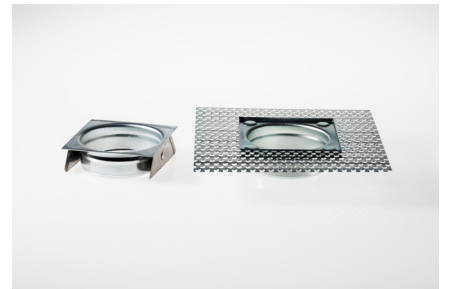
Finish  
WH      White  
BK      Black  
RAL      Custom RAL Colour\*

IP Rating  
54      IP54

Emergency  
E      Maintained 3hr Emergency  
ED      Maintained 3hr DALI Self Test  
ES      Maintained 3hr Self Test

Installation Order Code:

Installation  
6000-PBZ-SQ      Trim kit for trimmed appearance  
6000-PCZ-SQ      Plaster-kit for seamless flush appearance



LED Order Code:  -  -  -

LED  
LED35/2      LED35 GEN2

CCT  
927      90 CRI 2700K  
930      90 CRI 3000K  
940      90 CRI 4000K

Beam  
15      15°  
24      24°  
36      36°

Protocol  
S      Non-Dim  
A      Analogue (0-10v)  
P      Phase  
D      DALI  
B      Bluetooth\*\*



**Honeycomb Louvre**



**Diffusing Lens**



**Frosted Lens**



**Heavy Spread Lens**



**Linear Spread Lens**



**Warm Tone**

Accessories Order Code:

**Louvre/Lens**

- LS45 Honeycomb Louvre
- LSCC Warm Tone Lens
- LSUV UV Lens
- LSDF Diffusing Lens
- LSFR Frosted Lens
- LSLS Linear Spread Lens
- LSHS Heavy Spread Lens

**Technical Details**

\*Custom RAL code must be specified. Custom RAL colours can increase prices and lead times

Dimming. Whilst Lucent can offer the majority of its luminaires with various dimming options, it remains the responsibility of the specifier/installer to check and ensure compatibility of any control equipment used. Additional cabling may be required depending on the dimming protocol specified.

\*\*Bluetooth (wireless) is the communication method. The exact dimming protocol must be confirmed to allow the selection of suitable drivers or bluetooth devices.

^ Depth indicated is the minimum recess depth for the luminaire with a remote mounted LED driver. Installing a driver through either the luminaire cut-out or installation kit may require additional recess depth, please refer to the relevant luminaire installation instructions for further details. Data correct at time of publishing

First Fix Requirement. Luminaire comprised of fixture body with ceiling trim and installation kit, which is to be fitted into the ceiling once finished. Ensure correct alignment of the installation kit before final assembly (see luminaire installation instructions for details)

IP Rating. Tested from underside of the ceiling

It is the policy of Lucent Lighting to continually review and improve its products and therefore reserve the right to change any details of product or withdraw specifications without prior notice.

Luminaires designed to comply with EN60598 and all other standards.

This specification sheet superseded all previous versions.

All intellectual property rights pertaining to the product described above and to this document are owned by or licensed to Lucent Lighting Ltd.

We reserve the right to take whatever action is necessary to protect those intellectual property rights.

Please notify Lucent Lighting Ltd of any inaccuracies immediately. E&OE

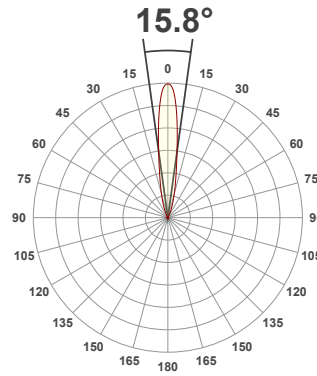
**Light efficiency:**



**Light quality:**



**Color temperature:**



**Product name:**

**Square Edge60 Fixed\_Accent - LED35 GEN2, 3000K, 15°, 350mA**

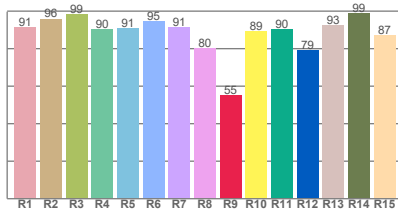
**Item number:**

**61433-F/A - LED35/2-30-15-350mA**

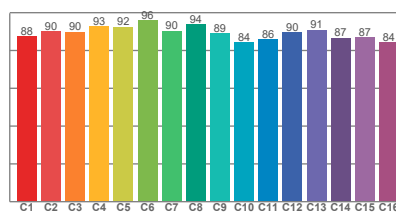
**Delivered information for above fixture and LED combination.**

**Output: 375 Lumen Peak intensity: 2831 cd Power consumption: 7.4**

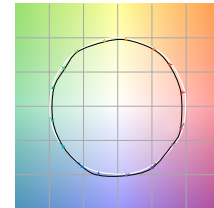
**CRI R values**



**TM30 C Values**

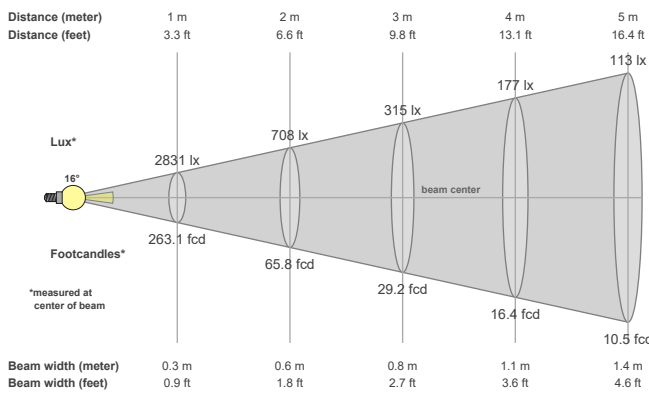


**Color vector graphics**



Color temperature	Color rendering index	Red component	Color fidelity	Color gamut	Color quality scale	Color coordinate cie 1931	Color coordinate cie 1931	Color coordinate	Color coordinate	Color deviation from black body
CCT	CRI	CRI R9	TM30 Rf	TM30 Rg	CQS	x	y	u	v	Δuv
3000 K	91.7	55.1	89.4	96.8	90.0	0.437	0.404	0.251	0.349	0.0009

**Beam details**



**Beam angels**

Beam angle 50%	Field angle 10%	Cutoff angle 2,5%
15.8°	38.7°	52.7°

**Beam intensities**

Peak intensity	Int. ratio in 120° cone	Int. ratio in 90° cone
2831 cd	99.5%	99.1%

**Beam intensities from 1-20m**

1m	2m	3m	4m	5m	6m	7m	8m	9m	10m	11m	12m	13m	14m	15m	16m	17m	18m	19m	20m
3.3ft	6.6ft	9.8ft	13.1ft	16.4ft	19.7ft	23ft	26.2ft	29.5ft	32.8ft	36.1ft	39.4ft	42.7ft	45.9ft	49.2ft	52.5ft	55.8ft	59.1ft	62.3ft	65.6ft
2831lx	708lx	315lx	177lx	113lx	79lx	58lx	44lx	35lx	28lx	23lx	20lx	17lx	14lx	13lx	11lx	10lx	9lx	8lx	7lx
263.1fcd	65.8fcd	29.2fcd	16.4fcd	10.5fcd	7.3fcd	5.4fcd	4.1fcd	3.2fcd	2.6fcd	2.2fcd	1.8fcd	1.6fcd	1.3fcd	1.2fcd	1fcd	0.9fcd	0.8fcd	0.7fcd	0.7fcd

The above information is for 3000K colour temperature, for specific module information please see LED spec located on our website

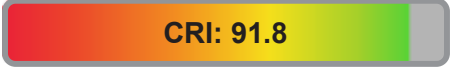
For information regarding other colour temperatures please use the following factors for lumen output and candelas:

2700K = 0.941  
4000K = 1.065

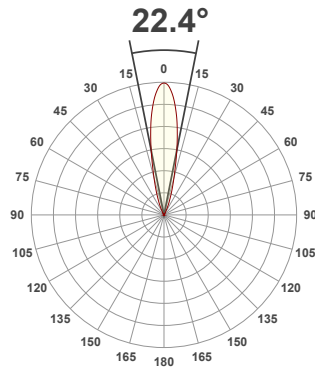
**Light efficiency:**



**Light quality:**



**Color temperature:**



**Product name:**

**Square Edge60 Fixed\_Accent - LED35 GEN2, 3000K, 24°, 350mA**

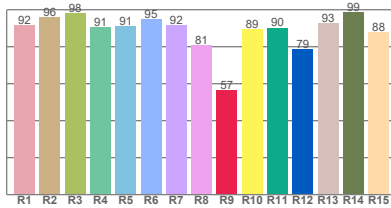
**Item number:**

**61433-F/A - LED35/2-30-24-350mA**

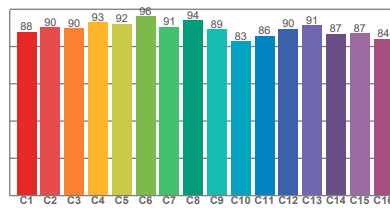
**Delivered information for above fixture and LED combination.**

**Output: 336 Lumen Peak intensity: 1762 cd Power consumption: 7.4**

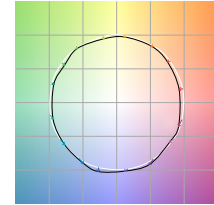
**CRI R values**



**TM30 C Values**

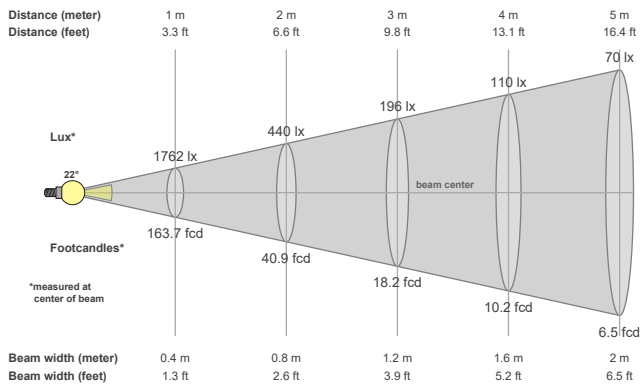


**Color vector graphics**



Color temperature	Color rendering index	Red component	Color fidelity	Color gamut	Color quality scale	Color coordinate cie 1931	Color coordinate cie 1931	Color coordinate	Color coordinate	Color division from black body
CCT	CRI	CRI R9	TM30 Rf	TM30 Rg	CQS	x	y	u	v	Δuv
3000 K	91.8	56.6	89.4	97.2	90.0	0.437	0.404	0.248	0.347	0.0004

**Beam details**



**Beam angles**

Beam angle 50%	Field angle 10%	Cutoff angle 2,5%
22.4°	44.2°	56°

**Beam intensities**

Peak intensity	Int. ratio in 120° cone	Int. ratio in 90° cone
1762 cd	99.7%	99.4%

**Beam intensities from 1-20m**

1m	2m	3m	4m	5m	6m	7m	8m	9m	10m	11m	12m	13m	14m	15m	16m	17m	18m	19m	20m
3.3ft	6.6ft	9.8ft	13.1ft	16.4ft	19.7ft	23ft	26.2ft	29.5ft	32.8ft	36.1ft	39.4ft	42.7ft	45.9ft	49.2ft	52.5ft	55.8ft	59.1ft	62.3ft	65.6ft
1762lx	440lx	196lx	110lx	70lx	49lx	36lx	28lx	22lx	18lx	15lx	12lx	10lx	9lx	8lx	7lx	6lx	5lx	5lx	4lx
163.7fcd	40.9fcd	18.2fcd	10.2fcd	6.5fcd	4.5fcd	3.3fcd	2.6fcd	2fcd	1.6fcd	1.4fcd	1.1fcd	1fcd	0.8fcd	0.7fcd	0.6fcd	0.6fcd	0.5fcd	0.5fcd	0.4fcd

The above information is for 3000K colour temperature, for specific module information please see LED spec located on our website

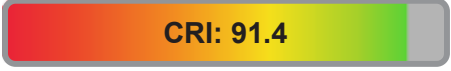
For information regarding other colour temperatures please use the following factors for lumen output and candelas:

2700K = 0.941  
4000K = 1.065

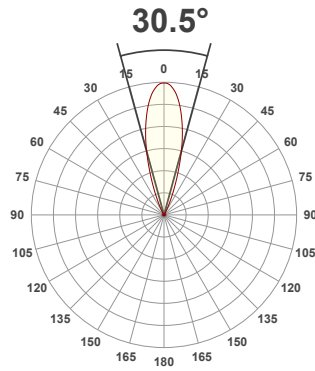
**Light efficiency:**



**Light quality:**



**Color temperature:**



**Product name:**

**Square Edge60 Fixed\_Accent - LED35 GEN2, 3000K, 36°, 350mA**

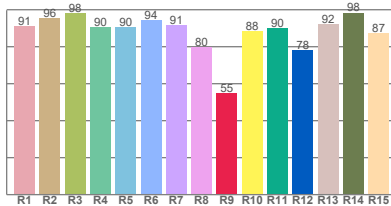
**Item number:**

**61433-F/A - LED35/2-30-36-350mA**

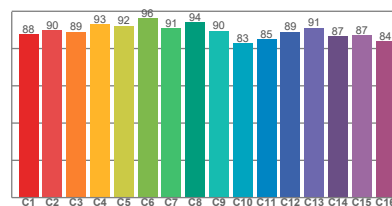
**Delivered information for above fixture and LED combination.**

**Output: 332 Lumen Peak intensity: 1192 cd Power consumption: 7.4**

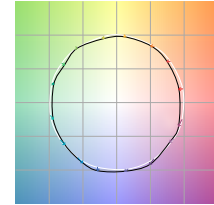
**CRI R values**



**TM30 C Values**

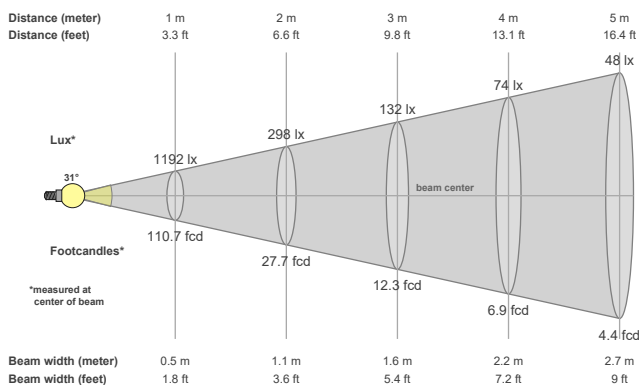


**Color vector graphics**



Color temperature	Color rendering index	Red component	Color fidelity	Color gamut	Color quality scale	Color coordinate cie 1931	Color coordinate cie 1931	Color coordinate	Color coordinate	Color division from black body
CCT	CRI	CRI R9	TM30 Rf	TM30 Rg	CQS	x	y	u	v	Δuv
3000 K	91.4	54.7	89.3	97.2	89.7	0.437	0.404	0.250	0.348	0.0006

**Beam details**



**Beam angles**

Beam angle 50%	Field angle 10%	Cutoff angle 2,5%
30.5°	49.3°	60.4°

**Beam intensities**

Peak intensity	Int. ratio in 120° cone	Int. ratio in 90° cone
1192 cd	99.6%	99.3%

**Beam intensities from 1-20m**

1m	2m	3m	4m	5m	6m	7m	8m	9m	10m	11m	12m	13m	14m	15m	16m	17m	18m	19m	20m
3.3ft	6.6ft	9.8ft	13.1ft	16.4ft	19.7ft	23ft	26.2ft	29.5ft	32.8ft	36.1ft	39.4ft	42.7ft	45.9ft	49.2ft	52.5ft	55.8ft	59.1ft	62.3ft	65.6ft
1192lx	298lx	132lx	74lx	48lx	33lx	24lx	19lx	15lx	12lx	10lx	8lx	7lx	6lx	5lx	5lx	4lx	4lx	3lx	3lx
110.7fcd	27.7fcd	12.3fcd	6.9fcd	4.4fcd	3.1fcd	2.3fcd	1.7fcd	1.4fcd	1.1fcd	0.9fcd	0.8fcd	0.7fcd	0.6fcd	0.5fcd	0.4fcd	0.4fcd	0.3fcd	0.3fcd	0.3fcd

The above information is for 3000K colour temperature, for specific module information please see LED spec located on our website

For information regarding other colour temperatures please use the following factors for lumen output and candelas:

2700K = 0.941  
4000K = 1.065