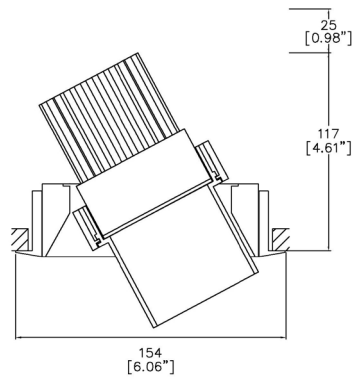


Axis5 Long Snoot



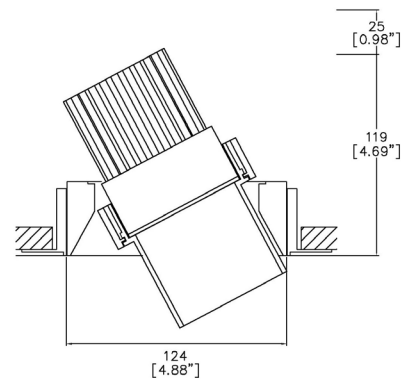
Axis provides high performance electronics and architectural aesthetics in 3.5" and 5" trim with a n option of tapered or straight snoots. Axis products come as standard adjustable in a flanged or trimless installation kit. Tray, retrofit and housing installation methods (NIC, IC, AT, T24 and CCEA) Multiple configurations for equal spacing also available. Lucent modules available in a wide range of color temperatures, beam angles, intensities, and effects (Ambiance Warm-Dim and Dynamic Tuneable White). MR16 and GU10 LED lamp options available. TRIAC/Phase, 0-10v/1-10v, DMX and DALI/Digital dimming.



A300/2-LS-LED-TR
Cut-out 148mm (5.82") Ø



Installation kit for overlap flange



A300/2-LS-LED-TL
Cut-out 145mm (5.70") Ø



Mud-in kit for seamless/trimless

LED Source	LED71TW	LED71TW	LED71TW
CCT range 5000K-2000K	@ 3000K	@ 3000K	@ 3000K
Drive Current (max per channel)	1000mA	1000mA	1000mA
Power inc Driver Max	27.5W	27.5W	27.5W
Beam Angle	19°	23°	42°
Delivered Lumens	1237	1107	1052
Delivered Intensity cd	7196	5247	2463
Efficacy lm/w	45	60	35
Forward Volt (max per channel)	23.4V	23.4V	23.4V
CRI	≥95 CRI	≥95 CRI	≥95 CRI

Project Ref: _____

Location Ref: _____

Specify fixture part number (All boxes must be filled in to correctly order)

A300/2-LS-LED				LED71TW	5020								
----------------------	--	--	--	----------------	-------------	--	--	--	--	--	--	--	--

Installation

- TR** Flange kit
- TL** Mud-in kit

Finish

- WH** White
- BK** Black
- RAL** Custom*

Ceiling Thickness

- SC** Standard Ceiling (1/2"-5/8"-3/4")
- C** Custom

LED Type

- LED71TW** LED71 Dynamic Tuneable White (95CRI)

CCT

- 5020** 5000K - 2000K

Beam Angles

- 19** 19
- 23** 23
- 42** 42

Housing/Tray

- LMT-15-NIC** Mounting Tray Non-Insulated ceilings
- LH-8.50-NIC** Housing 8.50" Non-Insulated ceilings
- LH-11.25-AT/IC** Housing 11.25" Insulated/Air-tight ceilings and Chicago Plenum

Mounting Hardware

- 09** 9" to 15.25" - Adjustable Bar Hanger Lengths
- 14** 14" to 24" - Adjustable Bar Hanger Lengths
- 36** 28" to 36" - Adjustable Bar Hanger Lengths
- BB** Butterfly Bracket
- CB** Caterpillar Bracket

Supply Voltage

- 120** 120V
- 277** 277V

Dimming Protocol

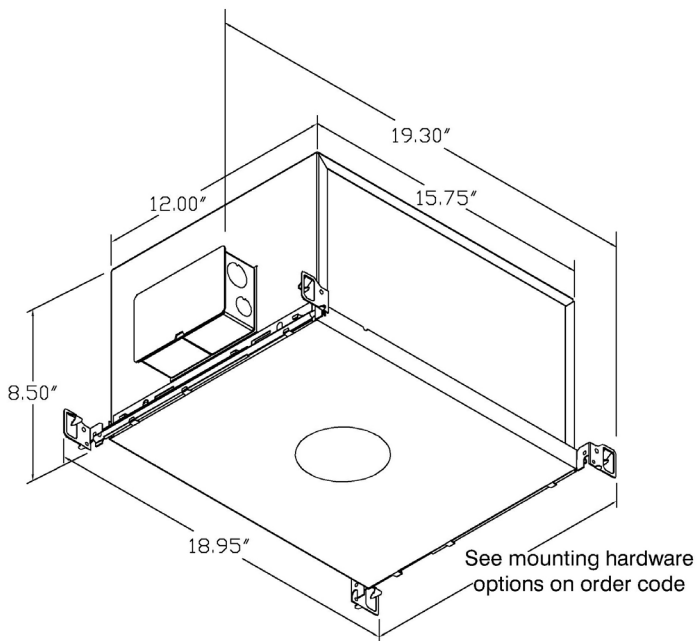
- A2** Analogue (0-10V) 2-Channel (0.1% Dimming)
- D6** DALI Type 6** (0.1% Dimming)
- D8** DALI Type 8** (0.1% Dimming)
- L** Lutron (Consult Factory)

- Emergency**
- E** 1.5h Emergency
 - ES** 1.5h Self test

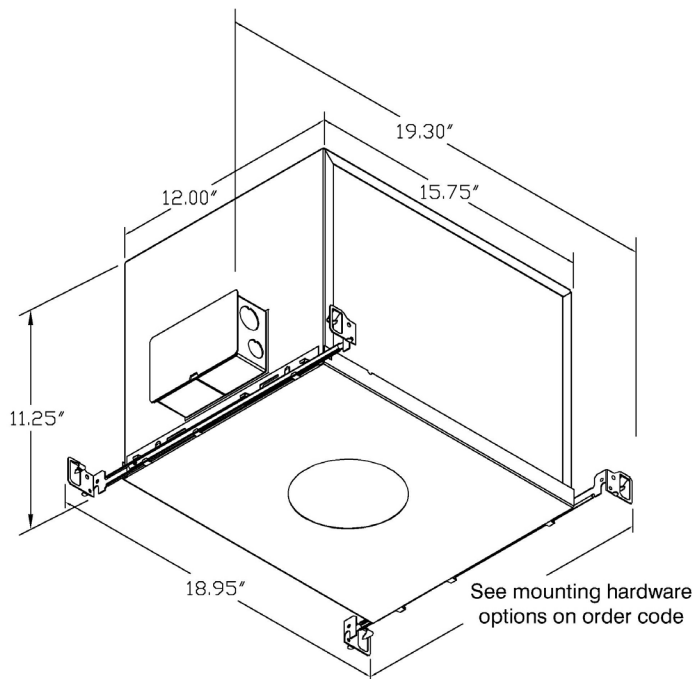
- Louvre/Lens**
- XX** Not required
 - MD45** Honeycomb
 - MDCC** Warm Tone
 - MDUV** UV
 - MDDF** Solite/Diffusing
 - MDFR** Frosted Lens
 - MDLS** Linear Spread
 - MDHS** Heavy Spread

*Refer to Technical Details for more information

Housing dimensions

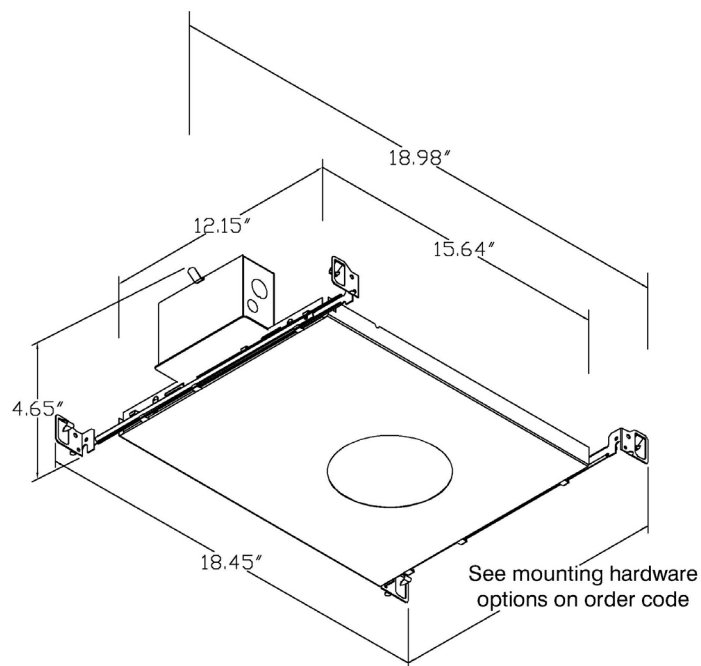


LH-8.50
Non-insulated ceiling

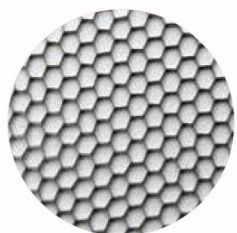


LH-11.25
Insulated/air-tight ceilings and
Chicago Plenum

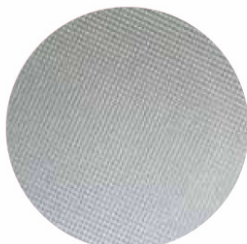
Tray dimensions



LMT-15
Non-insulated ceilings



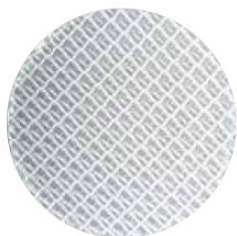
Honeycomb Louvre (MD45)



Solite/Diffusing Lens (MDDF)



Frosted Lens (MDFR)



Heavy Spread Lens (MDHS)



Linear Spread Lens (MDLS)



Warm Tone (MDCC)

.....

Technical Details

*Custom color requires a paint chip or RAL code and may increase price and lead-time

It is the responsibility of the specifier/integrator/installer to check and ensure compatibility of any control equipment used. Additional cabling may be required depending on the dimming protocol specified.

**DALI Type 6 requires two DALI addresses, one for CCT control the other for intensity control. DALI Type 8 is a single DALI Type 8 address for CCT and intensity control. Please check which control system is being used before specifying.

^ Depth indicated is the minimum recess depth for the luminaire with a remote mounted LED driver. Installing a driver through either the luminaire cut-out or installation kit may require additional recess depth, please refer to the relevant installation instructions prior to purchase.

First Fix Requirement. Luminaire comprised of fixture body with ceiling trim and installation kit, which is to be fitted into the ceiling once finished. Ensure correct alignment of the installation kit before final assembly (see luminaire installation instructions for details)

Location. Tested from underside of the ceiling.

Data correct at time of publishing. It is the policy of Lucent Lighting to continually review and improve its products and therefore reserve the right to change any details of product or withdraw specifications without prior notice.

This specification sheet supersedes all previous versions.

All intellectual property rights pertaining to the product described above and to this document are owned by or licensed to Lucent Lighting, Incorporated. Lucent Lighting reserves the right to take whatever action is necessary to protect its intellectual property, patents and trademarks

Please notify Lucent Lighting Inc. inaccuracies. E&OE

.....



Light efficiency:

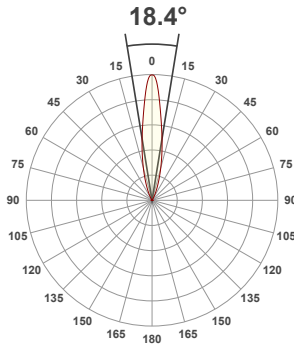
45 Lumen/Watt

Light quality:

CRI: 91.0

Color temperature:

3018 K



Product name:

Axis_Gimbal Long Snoot - LED71TW-5020-19 - 3000K

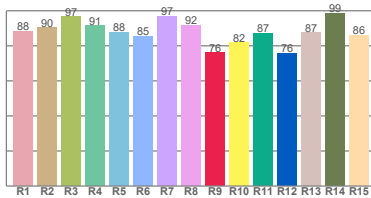
Item number:

Axis_Gimbal Long Snoot - LED71TW-5020-19 - 3000K

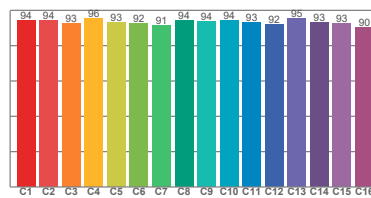
Delivered information for above fixture and LED combination.

Output: 1237 Lumen Peak intensity: 7196 cd Power consumption: 27.5

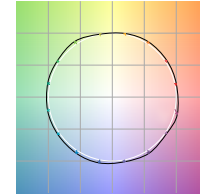
CRI R values



TM30 C Values

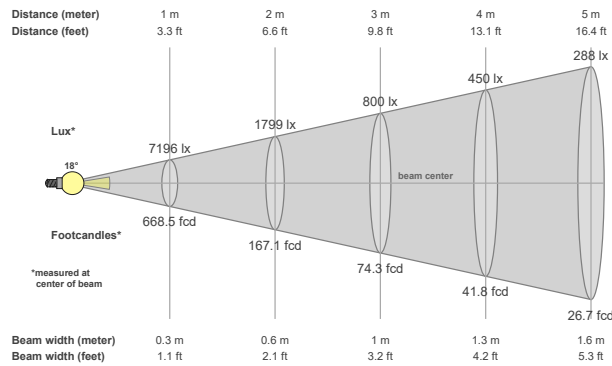


Color vector graphics



Color temperature	Color rendering index	Red component	Color fidelity	Color gamut	Color quality scale	Color coordinate cie 1931	Color coordinate cie 1931	Color coordinate	Color coordinate	Color deviation from black body
CCT	CRI	CRI R9	TM30 Rf	TM30 Rg	CQS	x	y	u	v	Δuv
3018 K	91.0	76.0	93.5	106.5	94.0	0.418	0.367	0.255	0.335	-0.0129

Beam details



Beam angles

Beam angle 50%	Field angle 10%	Cutoff angle 2,5%
18.4°	44.4°	56.9°

Beam intensities

Peak intensity	Int. ratio in 120° cone	Int. ratio in 90° cone
7196 cd	99.0%	98.4%

Beam intensities from 1-20m

1m	2m	3m	4m	5m	6m	7m	8m	9m	10m	11m	12m	13m	14m	15m	16m	17m	18m	19m	20m
3.3ft	6.6ft	9.8ft	13.1ft	16.4ft	19.7ft	23ft	26.2ft	29.5ft	32.8ft	36.1ft	39.4ft	42.7ft	45.9ft	49.2ft	52.5ft	55.8ft	59.1ft	62.3ft	65.6ft
7196lx	1799lx	800lx	450lx	288lx	200lx	147lx	112lx	89lx	72lx	59lx	50lx	43lx	37lx	32lx	28lx	25lx	22lx	20lx	18lx
668.5fcd	167.1fcd	74.3fcd	41.8fcd	26.7fcd	18.6fcd	13.6fcd	10.4fcd	8.3fcd	6.7fcd	5.5fcd	4.6fcd	4fcd	3.4fcd	3fcd	2.6fcd	2.3fcd	2.1fcd	1.9fcd	1.7fcd

All the above information for fixtures with LED71TW-5020 modules are tested at 3000K

Factors to adjust lumen output for the following CCTs at 100% output for the colour are as follows:

2000K = 0.75

2700K = 0.93

3500K = 1.07

4000K = 1.11

5000K = 1.17

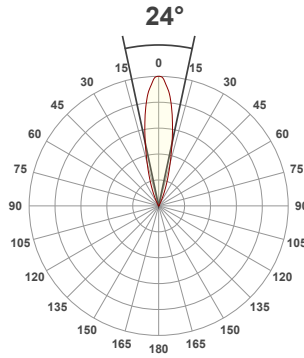
Light efficiency:



Light quality:



Color temperature:



Product name:

Axis_Gimbal Long Snoot - LED71TW-5020-23 - 3000K

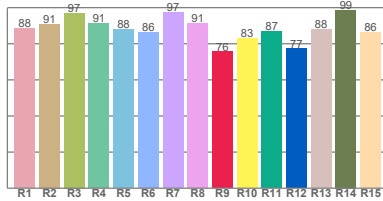
Item number:

Axis_Gimbal Long Snoot - LED71TW-5020-23 - 3000K

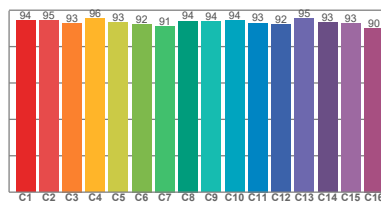
Delivered information for above fixture and LED combination.

Output: 1107 Lumen Peak intensity: 5247 cd Power consumption: 18.6

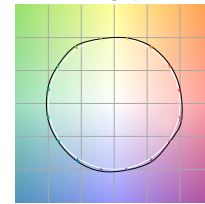
CRI R values



TM30 C Values

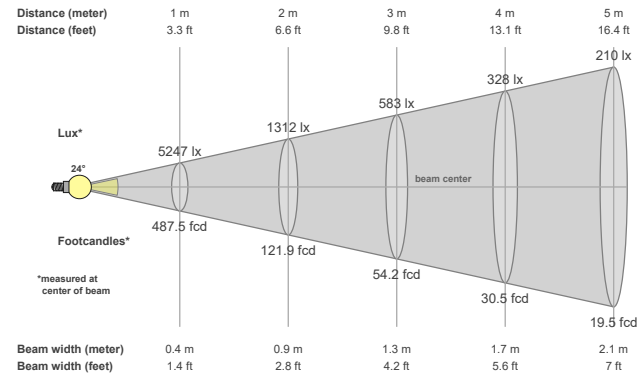


Color vector graphics



Color temperature	Color rendering index	Red component	Color fidelity	Color gamut	Color quality scale	Color coordinate cie 1931	Color coordinate cie 1931	Color coordinate	Color coordinate	Color deviation from black body
CCT	CRI	CRI R9	TM30 Rf	TM30 Rg	CQS	x	y	u	v	Δuv
3021 K	91.3	75.6	93.6	106.5	94.2	0.419	0.369	0.254	0.336	-0.0121

Beam details



Beam angles

Beam angle 50%	Field angle 10%	Cutoff angle 2,5%
24°	45.8°	57.8°

Beam intensities

Peak intensity	Int. ratio in 120° cone	Int. ratio in 90° cone
5247 cd	99.7%	99.3%

Beam intensities from 1-20m

1m	2m	3m	4m	5m	6m	7m	8m	9m	10m	11m	12m	13m	14m	15m	16m	17m	18m	19m	20m
3.3ft	6.6ft	9.8ft	13.1ft	16.4ft	19.7ft	23ft	26.2ft	29.5ft	32.8ft	36.1ft	39.4ft	42.7ft	45.9ft	49.2ft	52.5ft	55.8ft	59.1ft	62.3ft	65.6ft
5247lx	1312lx	583lx	328lx	210lx	146lx	107lx	82lx	65lx	52lx	43lx	36lx	31lx	27lx	23lx	20lx	18lx	16lx	15lx	13lx
487.5fcd	121.9fcd	54.2fcd	30.5fcd	19.5fcd	13.5fcd	9.9fcd	7.6fcd	6fcd	4.9fcd	4fcd	3.4fcd	2.9fcd	2.5fcd	2.2fcd	1.9fcd	1.7fcd	1.5fcd	1.4fcd	1.2fcd

All the above information for fixtures with LED71TW-5020 modules are tested at 3000K

Factors to adjust lumen output for the following CCTs at 100% output for the colour are as follows:

2000K = 0.75

2700K = 0.93

3500K = 1.07

4000K = 1.11

5000K = 1.17

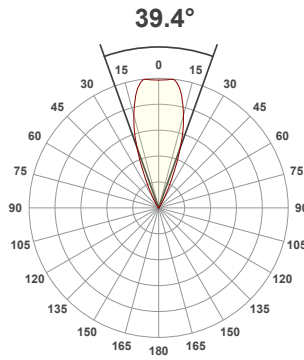
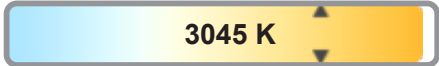
Light efficiency:



Light quality:



Color temperature:



Product name:

Axis_Gimbal Long Snoot - LED71W-5020-42 - 3000K

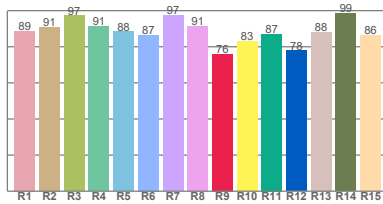
Item number:

Axis_Gimbal Long Snoot - LED71W-5020-42 - 3000K

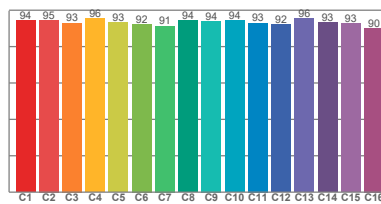
Delivered information for above fixture and LED combination.

Output: 1052 Lumen Peak intensity: 2463 cd Power consumption: 29.8

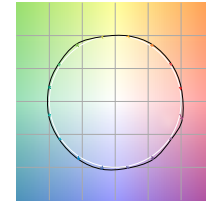
CRI R values



TM30 C Values

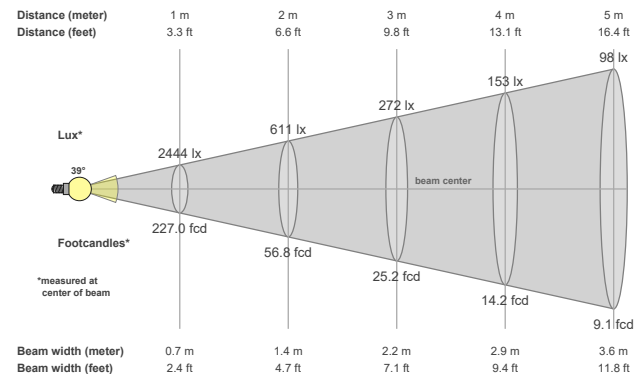


Color vector graphics



Color temperature	Color rendering index	Red component	Color fidelity	Color gamut	Color quality scale	Color coordinate cie 1931	Color coordinate cie 1931	Color coordinate	Color coordinate	Color deviation from black body
CCT	CRI	CRI R9	TM30 Rf	TM30 Rg	CQS	x	y	u	v	Δuv
3045 K	91.5	76.0	93.6	106.5	94.1	0.418	0.369	0.254	0.336	-0.0122

Beam details



Beam angles

Beam angle 50%	Field angle 10%	Cutoff angle 2,5%
39.4°	57.9°	70.7°

Beam intensities

Peak intensity	Int. ratio in 120° cone	Int. ratio in 90° cone
2463 cd	99.4%	98.9%

Beam intensities from 1-20m

1m	2m	3m	4m	5m	6m	7m	8m	9m	10m	11m	12m	13m	14m	15m	16m	17m	18m	19m	20m
3.3ft	6.6ft	9.8ft	13.1ft	16.4ft	19.7ft	23ft	26.2ft	29.5ft	32.8ft	36.1ft	39.4ft	42.7ft	45.9ft	49.2ft	52.5ft	55.8ft	59.1ft	62.3ft	65.6ft
2444lx	611lx	272lx	153lx	98lx	68lx	50lx	38lx	30lx	24lx	20lx	17lx	14lx	12lx	11lx	10lx	8lx	8lx	7lx	6lx
227fcd	56.8fcd	25.2fcd	14.2fcd	9.1fcd	6.3fcd	4.6fcd	3.5fcd	2.8fcd	2.3fcd	1.9fcd	1.6fcd	1.3fcd	1.2fcd	1fcd	0.9fcd	0.8fcd	0.7fcd	0.6fcd	0.6fcd

All the above information for fixtures with LED71TW-5020 modules are tested at 3000K

Factors to adjust lumen output for the following CCTs at 100% output for the colour are as follows:

2000K = 0.75 2700K = 0.93 3500K = 1.07
 4000K = 1.11 5000K = 1.17