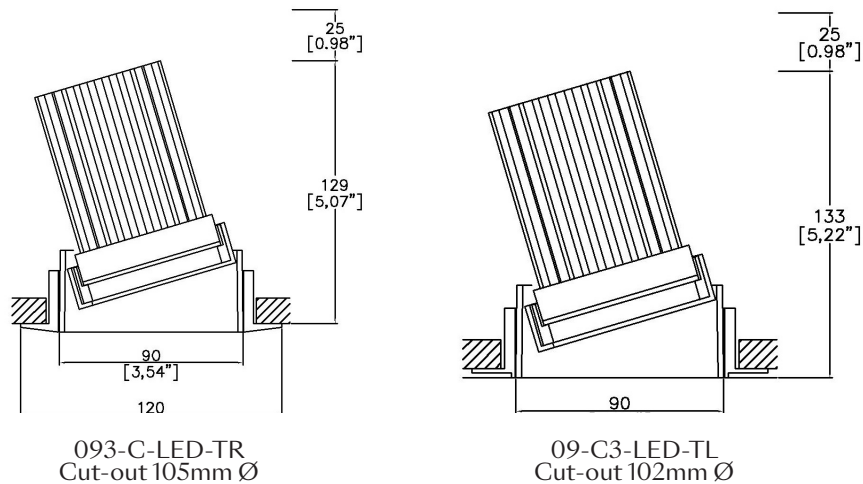


ProSpex Soft90 Colour Accent



120mm (4.72") overall trim diameter. 90mm (3.54") overall trimless diameter. Available with standard trim kit or plaster-in kit for flush appearance. Family of matching products also available. Required depth height + 25mm^



LED Source	LED71TW	LED71TW	LED71TW
CCT range	@ 3000K	@ 3000K	@ 3000K
Drive Current (max per channel)	1000mA	1000mA	1000mA
Power inc Driver Max	27.5W	27.5W	27.5W
Beam Angle	19°	23°	42°
Delivered Lumens	1746	1673	1645
Delivered Intensisty cd	7227	5950	2473
Efficacy lm/w	63	61	60
Forward Volt (max per channel)	23.4V	23.4V	23.4V
CRI	≥95 CRI	≥95 CRI	≥95 CRI

Soft Colour Inserts



Polished Copper



Piano Black



Polished Gold



Satin Gold



Polished Silver



Satin Silver

Project Ref: _____

Location Ref: _____

Fixture Order Code: - - - - -

Installation

- TR Trim
- TL Trimless

Colour Insert

- CP Polished Copper
- PB Piano Black
- PG Polished Gold
- SG Satin Gold
- PS Polished Silver
- SS Satin Silver

Trim Finish (Leave blank if trimless)

- WH White
- BK Black
- RAL Custom RAL Colour*

IP Rating

- 44 IP44

Emergency

- E Maintained 3hr Emergency
- ED Maintained 3hr DALI Self Test
- ES Maintained 3hr Self Test



LED Order Code: - - -

LED
LED71TW

LED70 ONE Tuneable White

CCT
5020

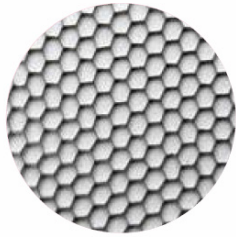
5000K - 2000K

Beam

- 19°
- 23°
- 42°

Protocol

- D6 DALI Type 6**
- D8 DALI Type 8**
- B Bluetooth***



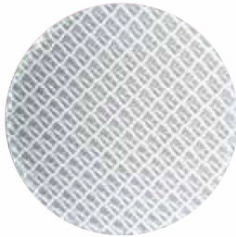
Honeycomb Louvre



Diffusing Lens



Frosted Lens



Heavy Spread Lens



Linear Spread Lens



Warm Tone

Accessories Order Code:

Louvre/Lens

- MD45 Honeycomb Louvre
- MDCC Warm Tone Lens
- MDUV UV Lens
- MDDF Diffusing Lens
- MDFR Frosted Lens
- MDLS Linear Spread Lens
- MDHS Heavy Spread Lens

Technical Details

*Custom RAL code must be specified. Custom RAL colours can increase prices and lead times

Dimming. Whilst Lucent can offer the majority of its luminaires with various dimming options, it remains the responsibility of the specifier/installer to check and ensure compatibility of any control equipment used. Additional cabling may be required depending on the dimming protocol specified.

**Bluetooth (wireless) is the communication method. The exact dimming protocol must be confirmed to allow the selection of suitable drivers or bluetooth devices.

^ Depth indicated is the minimum recess depth for the luminaire with a remote mounted LED driver. Installing a driver through either the luminaire cut-out or installation kit may require additional recess depth, please refer to the relevant luminaire installation instructions for further details. Data correct at time of publishing

First Fix Requirement. Luminaire comprised of fixture body with ceiling trim and installation kit, which is to be fitted into the ceiling once finished. Ensure correct alignment of the installation kit before final assembly (see luminaire installation instructions for details)

IP Rating. Tested from underside of the ceiling

It is the policy of Lucent Lighting to continually review and improve its products and therefore reserve the right to change any details of product or withdraw specifications without prior notice.

Luminaires designed to comply with EN60598 and all other standards.

This specification sheet superseded all previous versions.

All intellectual property rights pertaining to the product described above and to this document are owned by or licensed to Lucent Lighting Ltd.

We reserve the right to take whatever action is necessary to protect those intellectual property rights.

Please notify Lucent Lighting Ltd of any inaccuracies immediately. E&OE

Light efficiency:

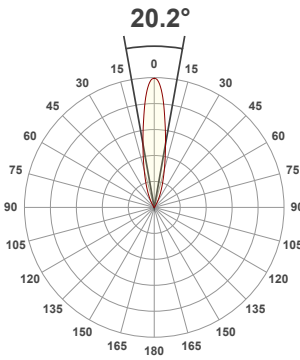
60 Lumen/Watt

Light quality:

CRI: 91.3

Color temperature:

3021 K



Product name:

090-LED - LED71W-5020-19 - 3000K

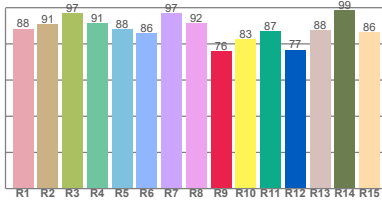
Item number:

Soft90 Fixed- LED71W-5020-19 - 3000K

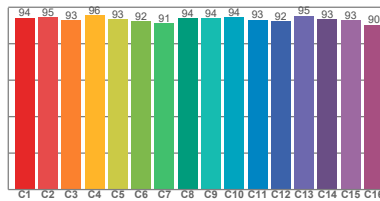
Delivered information for above fixture and LED combination.

Output: 1637 Lumen Peak intensity: 7333 cd Power consumption: 27.5

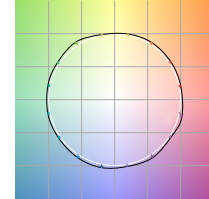
CRI R values



TM30 C Values

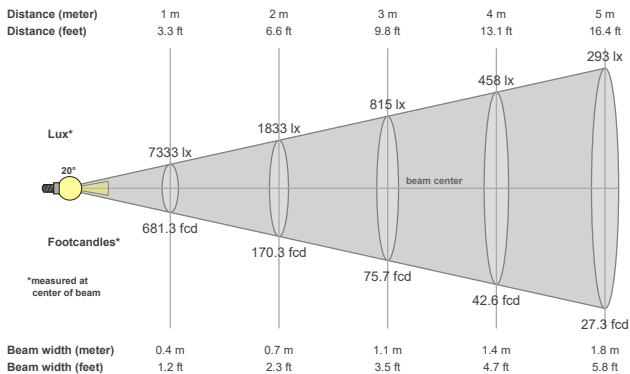


Color vector graphics



Color temperature	Color rendering index	Red component	Color fidelity	Color gamut	Color quality scale	Color coordinate cie 1931	Color coordinate cie 1931	Color coordinate	Color coordinate	Color deviation from black body
CCT	CRI	CRI R9	TM30 Rf	TM30 Rg	CQS	x	y	u	v	Δuv
3021 K	91.3	76.0	93.5	106.6	94.0	0.419	0.368	0.254	0.336	-0.0125

Beam details



Beam angles

Beam angle 50%	Field angle 10%	Cutoff angle 2,5%
20.2°	49.4°	65.2°

Beam intensities

Peak intensity	Int. ratio in 120° cone	Int. ratio in 90° cone
7333 cd	97.2%	94.1%

Beam intensities from 1-20m

1m	2m	3m	4m	5m	6m	7m	8m	9m	10m	11m	12m	13m	14m	15m	16m	17m	18m	19m	20m
3.3ft	6.6ft	9.8ft	13.1ft	16.4ft	19.7ft	23ft	26.2ft	29.5ft	32.8ft	36.1ft	39.4ft	42.7ft	45.9ft	49.2ft	52.5ft	55.8ft	59.1ft	62.3ft	65.6ft
7333lx	1833lx	815lx	458lx	293lx	204lx	150lx	115lx	91lx	73lx	61lx	51lx	43lx	37lx	33lx	29lx	25lx	23lx	20lx	18lx
681.3fcd	170.3fcd	75.7fcd	42.6fcd	27.3fcd	18.9fcd	13.9fcd	10.6fcd	8.4fcd	6.8fcd	5.6fcd	4.7fcd	4fcd	3.5fcd	3fcd	2.7fcd	2.4fcd	2.1fcd	1.9fcd	1.7fcd

All the above information for fixtures with LED71TW-5020 modules are tested at 3000K

Factors to adjust lumen output for the following CCTs at 100% output for the colour are as follows:

2000K = 0.75

2700K = 0.93

3500K = 1.07

4000K = 1.11

5000K = 1.17

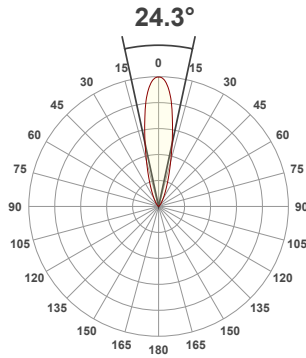
Light efficiency:



Light quality:



Color temperature:



Product name:

093-LED - LED71W-5020-24 - 3000K

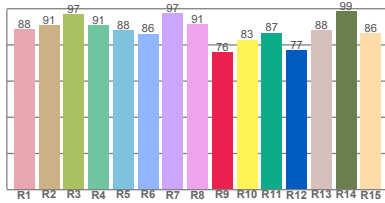
Item number:

Soft90 Accent - LED71W-5020-24 - 3000K

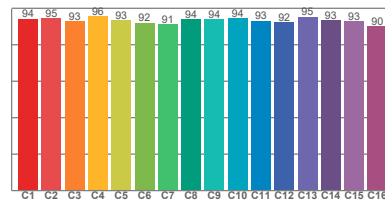
Delivered information for above fixture and LED combination.

Output: 1673 Lumen Peak intensity: 5950 cd Power consumption: 27.5

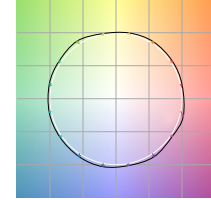
CRI R values



TM30 C Values

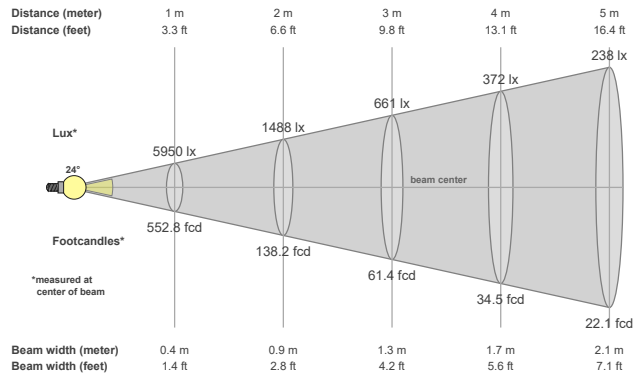


Color vector graphics



Color temperature	Color rendering index	Red component	Color fidelity	Color gamut	Color quality scale	Color coordinate cie 1931	Color coordinate cie 1931	Color coordinate	Color coordinate	Color deviation from black body
CCT	CRI	CRI R9	TM30 Rf	TM30 Rg	CQS	x	y	u	v	Δuv
3010 K	91.3	76.0	93.5	106.7	94.0	0.420	0.369	0.255	0.336	-0.0123

Beam details



Beam angles

Beam angle 50%	Field angle 10%	Cutoff angle 2,5%
24.3°	53.4°	80.2°

Beam intensities

Peak intensity	Int. ratio in 120° cone	Int. ratio in 90° cone
5950 cd	98.9%	96.0%

Beam intensities from 1-20m

1m	2m	3m	4m	5m	6m	7m	8m	9m	10m	11m	12m	13m	14m	15m	16m	17m	18m	19m	20m
3.3ft	6.6ft	9.8ft	13.1ft	16.4ft	19.7ft	23ft	26.2ft	29.5ft	32.8ft	36.1ft	39.4ft	42.7ft	45.9ft	49.2ft	52.5ft	55.8ft	59.1ft	62.3ft	65.6ft
5950lx	1488lx	661lx	372lx	238lx	165lx	121lx	93lx	73lx	60lx	49lx	41lx	35lx	30lx	26lx	23lx	21lx	18lx	16lx	15lx
552.8fcd	138.2fcd	61.4fcd	34.5fcd	22.1fcd	15.4fcd	11.3fcd	8.6fcd	6.8fcd	5.5fcd	4.6fcd	3.8fcd	3.3fcd	2.8fcd	2.5fcd	2.2fcd	1.9fcd	1.7fcd	1.5fcd	1.4fcd

All the above information for fixtures with LED71TW-5020 modules are tested at 3000K

Factors to adjust lumen output for the following CCTs at 100% output for the colour are as follows:

2000K = 0.75

2700K = 0.93

3500K = 1.07

4000K = 1.11

5000K = 1.17

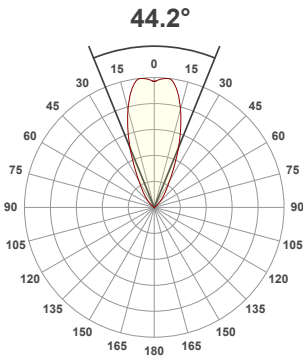
Light efficiency:



Light quality:



Color temperature:



Product name:

093-LED - LED71W-5020-42 - 3000K

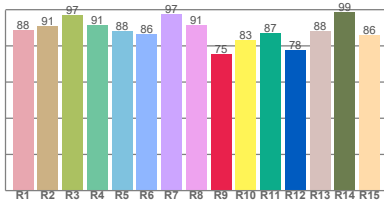
Item number:

Soft90 Accent - LED71W-5020-42 - 3000K

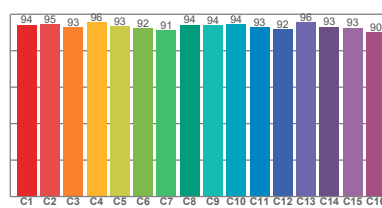
Delivered information for above fixture and LED combination.

Output: 1645 Lumen Peak intensity: 2473 cd Power consumption: 27.5

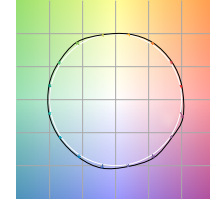
CRI R values



TM30 C Values

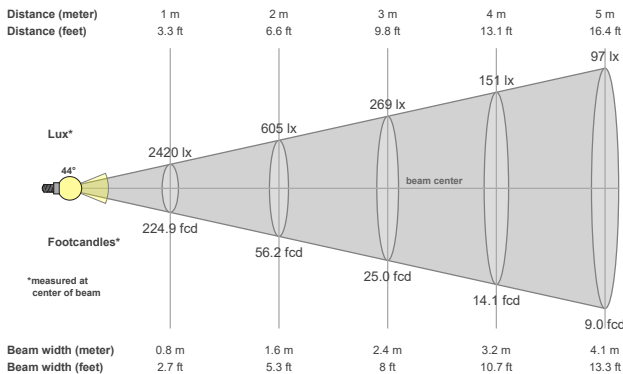


Color vector graphics



Color temperature	Color rendering index	Red component	Color fidelity	Color gamut	Color quality scale	Color coordinate cie 1931	Color coordinate cie 1931	Color coordinate	Color coordinate	Color deviation from black body
CCT	CRI	CRI R9	TM30 Rf	TM30 Rg	CQS	x	y	u	v	Δuv
3067 K	91.4	75.3	93.6	106.6	94.1	0.416	0.367	0.253	0.335	-0.0124

Beam details



Beam angles

Beam angle 50%	Field angle 10%	Cutoff angle 2,5%
44.2°	80.8°	103.7°

Beam intensities

Peak intensity	Int. ratio in 120° cone	Int. ratio in 90° cone
2473 cd	98.1%	92.9%

Beam intensities from 1-20m

1m	2m	3m	4m	5m	6m	7m	8m	9m	10m	11m	12m	13m	14m	15m	16m	17m	18m	19m	20m
3.3ft	6.6ft	9.8ft	13.1ft	16.4ft	19.7ft	23ft	26.2ft	29.5ft	32.8ft	36.1ft	39.4ft	42.7ft	45.9ft	49.2ft	52.5ft	55.8ft	59.1ft	62.3ft	65.6ft
2420lx	605lx	269lx	151lx	97lx	67lx	49lx	38lx	30lx	24lx	20lx	17lx	14lx	12lx	11lx	9lx	8lx	7lx	7lx	6lx
224.9fcd	56.2fcd	25fcd	14.1fcd	9fcd	6.2fcd	4.6fcd	3.5fcd	2.8fcd	2.2fcd	1.9fcd	1.6fcd	1.3fcd	1.1fcd	1fcd	0.9fcd	0.8fcd	0.7fcd	0.6fcd	0.6fcd

All the above information for fixtures with LED71TW-5020 modules are tested at 3000K

Factors to adjust lumen output for the following CCTs at 100% output for the colour are as follows:

2000K = 0.75

2700K = 0.93

3500K = 1.07

4000K = 1.11

5000K = 1.17