



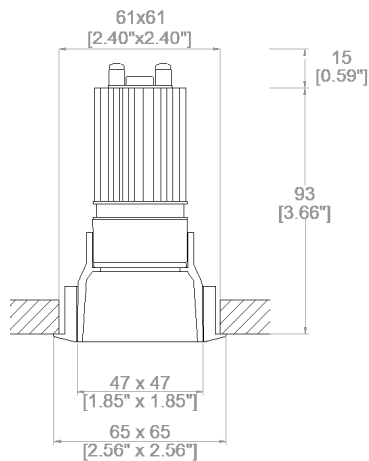
ProSpex Soft Square50 Fixed

TM65.2 5kgCO2e

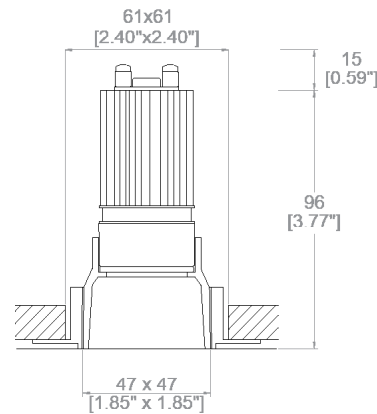
TM66 2.4 CEAM



65 x 65mm (2.56" x 2.56") overall trim dimension.
 47 x 47mm (1.85" x 1.85") overall trimless dimension.
 Available with standard trim kit or plaster-in kit for flush appearance. Family of matching products also available.



050-LED-TR-SQ
 Cut-out 61 x 61mm
 Required depth height + 15mm^



050-LED-TL-SQ
 Cut-out 61 x 61mm
 Required depth height + 15mm^

LED Source	LED35/Q-HO	LED35/Q-HO	LED35/Q-HO	LED35/Q-HO
CCT	3000K	3000K	3000K	3000K
Drive Current	250mA	250mA	250mA	250mA
Power inc Driver	10W	10W	10W	10W
Beam Angle	NF (18°)	MF (22°)	FL (32°)	WFL (40°)
Delivered Lumens	967	1028	1012	916
Delivered Intensisty cd	6382	5845	3140	1237
Efficacy lm/w	97	103	101	92
Forward Volt	34V	34V	34V	34V
CRI	≥90 CRI	≥90 CRI	≥90 CRI	≥90 CRI



Apply these factors to 3000K for lumen output of other CCTs: 2700K x 0.98 / 4000K x 1.02.

Project Ref: _____

Location Ref: _____

Fixture Order Code: - - - - -

Fixture 050-LED	Soft Square50 Fixed with LED35
Installation TR TL	Trim Trimless
Body Finish WH BK RAL	White Black Custom RAL Colour*
Trim Finish (Leave blank if trimless) WH BK RAL	White Black Custom RAL Colour*
IP Rating 44	IP44



LED Order Code:

LED LED35/Q-HO	LED35 QUANTUM High Output
CCT 27 30 40	90 CRI 2700K 90 CRI 3000K 90 CRI 4000K (1)
Beam NF MF FL WFL	Narrow Flood Medium Flood Flood Wide Flood

(1) contact Lucent for availability

Driver Options:

Protocol S A P D B	Non-Dim Analogue (0-10v) Phase DALI Bluetooth**
--	---

Emergency Options:

Emergency E ED ES	Maintained 3hr Emergency Maintained 3hr DALI Self Test Maintained 3hr Self Test
-----------------------------------	---

Finish selection



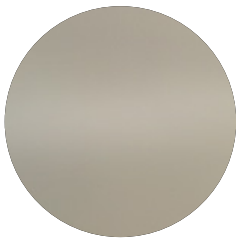
Antique Brass



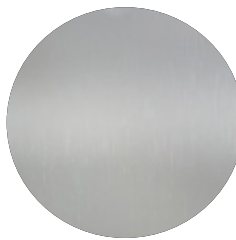
Antique Bronze



Polished Brass

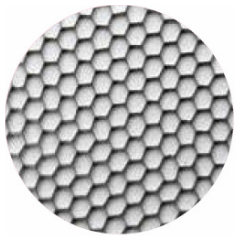


Polished Nickel



Polished Chrome

Accessories



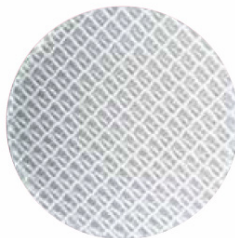
Honeycomb Louvre



Diffusing Lens



Frosted Lens



Heavy Spread Lens



Linear Spread Lens

Accessories Order Code:

Louvre/Lens

- LS45 Honeycomb Louvre
- LSDF Diffusing Lens
- LSFR Frosted Lens
- LSLS Linear Spread Lens
- LSHS Heavy Spread Lens

Technical Details

*Custom RAL code must be specified. Custom RAL colours can increase prices and lead times

Dimming. Whilst Lucent can offer the majority of its luminaires with various dimming options, it remains the responsibility of the specifier/installer to check and ensure compatibility of any control equipment used. Additional cabling may be required depending on the dimming protocol specified.

**Bluetooth (wireless) is the communication method. The exact dimming protocol must be confirmed to allow the selection of suitable drivers or bluetooth devices.

^ Depth indicated is the minimum recess depth for the luminaire with a remote mounted LED driver. Installing a driver through either the luminaire cut-out or installation kit may require additional recess depth, please refer to the relevant luminaire installation instructions for further details. Data correct at time of publishing

First Fix Requirement. Luminaire comprised of fixture body with ceiling trim and installation kit, which is to be fitted into the ceiling once finished. Ensure correct alignment of the installation kit before final assembly (see luminaire installation instructions for details)

IP Rating. Tested from underside of the ceiling

Note that the picture of the finishes provided is for illustrative purposes only. The finishes may vary in colour, texture and appearance. Contact Lucent lighting Ltd for more information.

It is the policy of Lucent Lighting to continually review and improve its products and therefore reserve the right to change any details of product or withdraw specifications without prior notice.

Luminaires designed to comply with EN60598 and all other standards.

This specification sheet supersedes all previous versions.

All intellectual property rights pertaining to the product described above and to this document are owned by or licensed to Lucent Lighting Ltd.

We reserve the right to take whatever action is necessary to protect those intellectual property rights.

Please notify Lucent Lighting Ltd of any inaccuracies immediately. E&OE