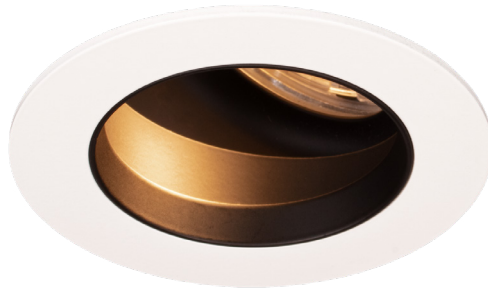


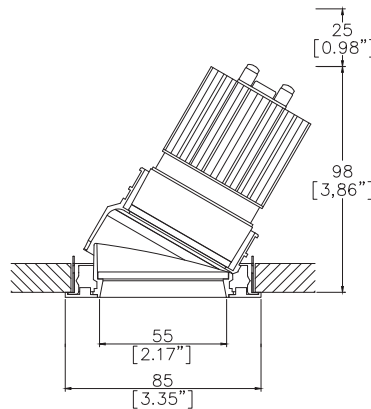
Mix85 Duo Accent Trim

TM65.2 6kgCO2e

TM66 2.5 CEAM



Ø85mm (3.35") overall trim. Ø55mm (2.17") aperture. 30° tilt in full rotation. Available with standard trim kit or 3 flush trim options, depending on ceiling type and finish. Family of matching products also available.



Mix85 Duo with Trim Kit TR1 (1)
Cut-out Ø80mm.
Required depth height+25mm.

| LED Source | LED51/3-TW | LED51/3-TW | LED51/3-TW |
|-----------------------------------|------------|--------------|---------------|
| CRI | ≥90 CRI | ≥90 CRI | ≥90 CRI |
| Drive Current | 350mA | 350mA | 350mA |
| Power inc Driver | 15.4W | 15.4W | 15.4W |
| Beam Angle | NF (20°) | FL (37°/33°) | WFL (57°/52°) |
| Forward Volt | 36V | 36V | 36V |
| CCT | 6527 4018 | 6527 4018 | 6527 4018 |
| Delivered Lumens | 1236 1055 | 1206 1073 | 1037 911 |
| Delivered Intensisty cd | 6912 5970 | 2960 3054 | 1168 1174 |
| Delivered Lumens per circuit watt | 80 68 | 78 62 | 69 59 |

Note: Performance data is based on the Highest CCT of each module type. Refer to the table on the last page for the factors.

Project Ref: _____

Location Ref: _____

Please only complete one of the following code builders

Non Fire Rated Code Builder

Fixture Order Code: - - - -

- Fixture
MX85010-DU Mix85 Duo Accent for LED
- Installation ⁽¹⁾
TR1 Trim for Existing Ceilings 5-15mm total thickness
TR2 ⁽²⁾ Trim for Existing Ceilings 15-28mm total thickness
- Finish
WH02 White RAL 9010
BK02 Black RAL 9005
RAL* Custom RAL Colour*
ABR1 Antique Brass
ABZ1 Antique Bronze
PCH1 Polished Chrome
PNK1 Polished Nickel
PBR1 Polished Brass
- IP Rating
54 IP54
65 IP65
- Rating
0 No Fire Rating

Fire Rated Code Builder

Fixture Order Code: - - - -

- Fixture
MX85010-DU Mix85 Duo Accent for LED
- Installation ⁽¹⁾
TR2 ⁽²⁾ Trim for Existing Ceilings 15-28mm total thickness
- Finish
WH02 White RAL 9010
BK02 Black RAL 9005
RAL* Custom RAL Colour*
ABR1 Antique Brass
ABZ1 Antique Bronze
PCH1 Polished Chrome
PNK1 Polished Nickel
PBR1 Polished Brass
- IP Rating
54 IP54
65 IP65
- Rating
FR ⁽³⁾ Fire Rated

(1) For any ceiling thickness or construction type not shown please contact Lucent

(2) Adjustment may be limited in thicker ceiling constructions. Refer to installation instructions for details.

(3) Tested and approved to EN 1363-1:2020 and EN 1365-2:2014 for 60 minutes fire rating.

Project Ref: _____

Location Ref: _____

LED Order Code:

LED51/3-TW - -

LED
LED51/3-TW

LED51 Gen3 Dynamic TuneableWhite

CCT
6527
4018

6500K - 2700K
4000K - 1800K

Beam
NF
FL
WFL

Narrow Flood
Flood
Wide Flood

Driver Options:

Protocol
D6
D8
B

DALI Type 6**
DALI Type 8**
Bluetooth***

Emergency Options:

Emergency
E
ED
ES

Maintained 3hr Emergency
Maintained 3hr DALI Self Test
Maintained 3hr Self Test

Installation Kit



Trim Kit for Existing Ceilings

Finish selection



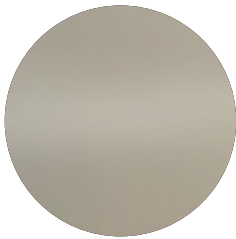
Antique Brass



Antique Bronze



Polished Brass

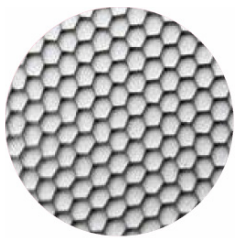


Polished Nickel

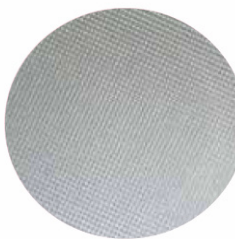


Polished Chrome

Accessories



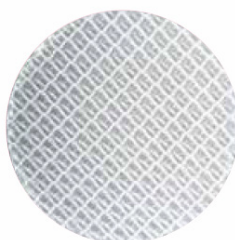
Honeycomb Louvre



Diffusing Lens



Frosted Lens



Heavy Spread Lens



Linear Spread Lens

Accessories Order Code:

| | |
|------|--------------------|
| LL45 | Honeycomb Louvre |
| LLDF | Diffusing Lens |
| LLFR | Frosted Lens |
| LLLS | Linear Spread Lens |
| LLHS | Heavy Spread Lens |

LED35/3-TW Factor Table

| | 6500K-2700K | | 4000K-1800K | |
|-------|-------------|----------------|-------------|----------------|
| CCT | Lm Factor | System Wattage | Lm Factor | System Wattage |
| 6500K | 1.00 | 9.2 | | |
| 5000K | 1.12 | 9.2 | | |
| 4000K | 1.23 | 10.6 | 1.00 | 9.2 |
| 3000K | 0.95 | 9.4 | 1.00 | 9.7 |
| 2700K | 0.82 | 8.4 | 1.00 | 10.9 |
| 2400K | | | 0.88 | 11 |
| 2200K | | | 0.75 | 10.2 |
| 1800K | | | 0.53 | 8.6 |

Technical Details

*Custom RAL code must be specified. Custom RAL colours can increase prices and lead times

Dimming. Whilst Lucent can offer the majority of its luminaires with various dimming options, it remains the responsibility of the specifier/installer to check and ensure compatibility of any control equipment used. Additional cabling may be required depending on the dimming protocol specified.

**Bluetooth (wireless) is the communication method. The exact dimming protocol must be confirmed to allow the selection of suitable drivers or bluetooth devices.

^ Depth indicated is the minimum recess depth for the luminaire with a remote mounted LED driver. Installing a driver through either the luminaire cut-out or installation kit may require additional recess depth, please refer to the relevant luminaire installation instructions for further details. Data correct at time of publishing

First Fix Requirement. Luminaire comprised of fixture body with ceiling trim and installation kit, which is to be fitted into the ceiling once finished. Ensure correct alignment of the installation kit before final assembly (see luminaire installation instructions for details)

IP Rating. Tested from underside of the ceiling

Note that the picture of the finishes provided is for illustrative purposes only. The finishes may vary in colour, texture and appearance. Contact Lucent lighting Ltd for more information.

It is the policy of Lucent Lighting to continually review and improve its products and therefore reserve the right to change any details of product or withdraw specifications without prior notice.

Luminaires designed to comply with EN60598 and all other standards.

This specification sheet superseded all previous versions.

All intellectual property rights pertaining to the product described above and to this document are owned by or licensed to Lucent Lighting Ltd.

We reserve the right to take whatever action is necessary to protect those intellectual property rights.

Please notify Lucent Lighting Ltd of any inaccuracies immediately. E&OE