

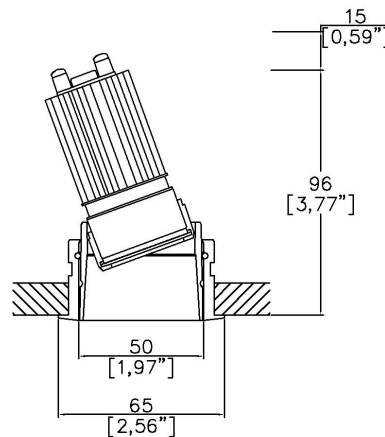
Soft50 Gen2 Accent Trim

TM65.2 5kgCO2e

TM66 2.4 CEAM



Ø65mm (2.56") overall trim.
 Available with standard trim kit or 3 flush trim options, depending on ceiling type and finish.
 Family of matching products also available.



Soft50 Gen2 with Trim Kit TR1 ⁽¹⁾
 Cut-out Ø61mm.
 Required depth height +15mm.

LED Source	LED35/3-TW	LED35/3-TW	LED35/3-TW
CRI	≥90 CRI	≥90 CRI	≥90 CRI
Drive Current	200mA	200mA	200mA
Power inc Driver	9W	9W	9W
Beam Angle	NF (21°)	FL (36°)	WFL (46°)
Forward Volt	38V	38V	38V
CCT	6527 4018	6527 4018	6527 4018
Delivered Lumens	649 635	613 583	547 534
Delivered Intensisty cd	3817 3782	1529 1481	881 871
Delivered Lumens per circuit watt	72 70	68 65	60 59

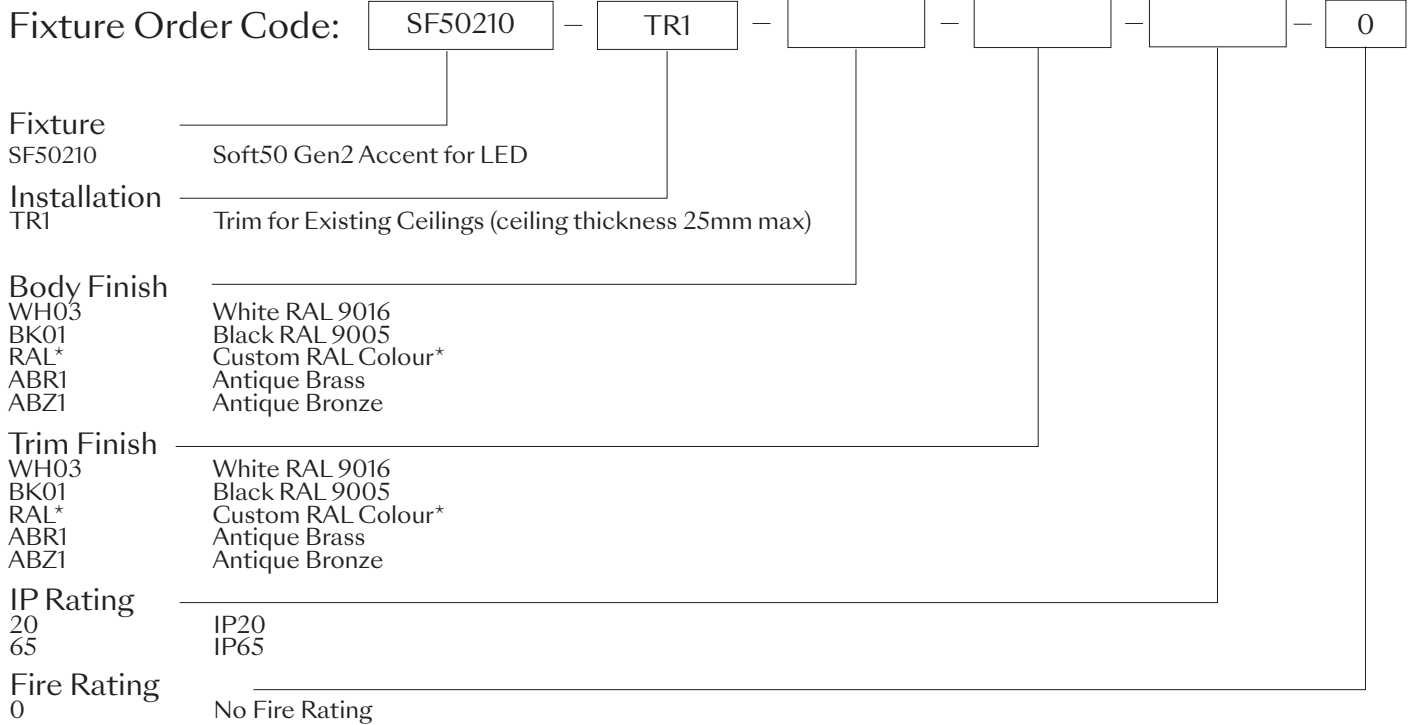
Note: Performance data is based on the Highest CCT of each module type.

Project Ref: _____

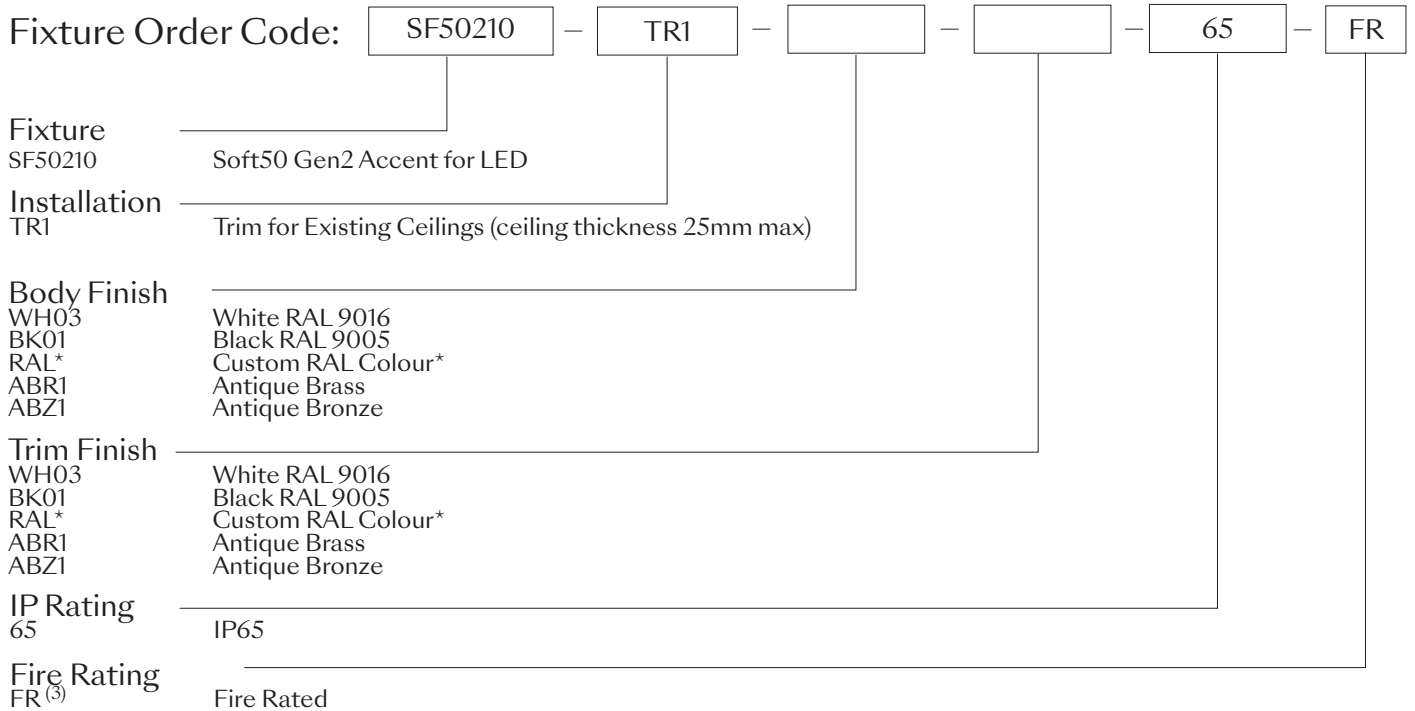
Location Ref: _____

Complete one of the following code builders

Non Fire Rated Code Builder



Fire Rated Code Builder



(1) For any ceiling thickness or construction type not shown please contact Lucent

(2) Adjustment may be limited in thicker ceiling constructions. Refer to installation instructions for details.

(3) Tested and approved to EN 1363-1:2020 and EN 1365-2:2014 for 60 minutes Fire Rating - It is recommended to set the required tilt prior to installation, as the front glass restricts adjustment from below (see image on page 3).

LED Order Code:

LED35/3-TW

LED
LED35/3-TW LED35 Gen3 Dynamic TuneableWhite

CCT
6527 6500K - 2700K
4018 4000K - 1800K

Beam
NF Narrow Flood
FL Flood
WFL Wide Flood

Driver Options:

Protocol
D6 DALI Type 6**
D8 DALI Type 8**
B Bluetooth***

Emergency Options:

Emergency
E Maintained 3hr Emergency
ED Maintained 3hr DALI Self Test
ES Maintained 3hr Self Test

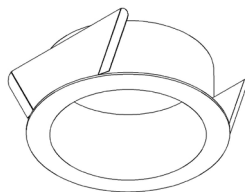
TuneableWhite factor table

	6500K-2700K		4000K-1800K	
CCT	Lm Factor	System Wattage	Lm Factor	System Wattage
6500K	1.00	9.2		
5000K	1.12	9.2		
4000K	1.23	10.6	1.00	9.2
3000K	0.95	9.4	1.00	9.7
2700K	0.82	8.4	1.00	10.9
2400K			0.88	11
2200K			0.75	10.2
1800K			0.53	8.6

Fire rated fixture (IP65)

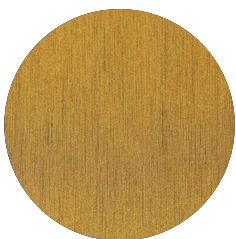


Installation Kits



Trim Kit for Existing Ceilings

Finish selection



Antique Brass



Antique Bronze

Accessories



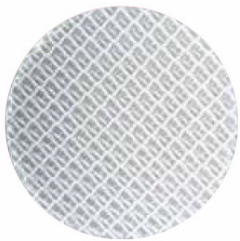
Honeycomb Louvre



Diffusing Lens



Frosted Lens



Heavy Spread Lens



Linear Spread Lens

Accessories Order Code:

Louvre/Lens

- LL45 Honeycomb Louvre
- LLDF Diffusing Lens
- LLFR Frosted Lens
- LLLS Linear Spread Lens
- LLHS Heavy Spread Lens

Technical Details

*Custom RAL code must be specified. Custom RAL colours can increase prices and lead times.

Dimming. Whilst Lucent can offer the majority of its luminaires with various dimming options, it remains the responsibility of the specifier/installer to check and ensure compatibility of any control equipment used. Additional cabling may be required depending on the dimming protocol specified.

**Bluetooth (wireless) is the communication method. The exact dimming protocol must be confirmed to allow the selection of suitable drivers or bluetooth devices.

^ Depth indicated is the minimum recess depth for the luminaire with a remote mounted LED driver. Installing a driver through either the luminaire cut-out or installation kit may require additional recess depth, please refer to the relevant luminaire installation instructions for further details. Data correct at time of publishing.

First Fix Requirement. Luminaire comprised of fixture body with ceiling trim and installation kit, which is to be fitted into the ceiling once finished. Ensure correct alignment of the installation kit before final assembly (see luminaire installation instructions for details).

IP Rating. Tested from underside of the ceiling.

Note that the picture of the finishes provided are for illustrative purposes only. The finishes may vary in colour, texture and appearance. Contact Lucent Lighting for more information.

It is the policy of Lucent Lighting to continually review and improve its products and therefore reserve the right to change any details of product or withdraw specifications without prior notice.

Luminaires designed to comply with EN60598 and all other standards.

This specification sheet supersedes all previous versions.

All intellectual property rights pertaining to the product described above and to this document are owned by or licensed to Lucent Lighting Ltd.

We reserve the right to take whatever action is necessary to protect those intellectual property rights.

Please notify Lucent Lighting Ltd of any inaccuracies immediately. E&OE