

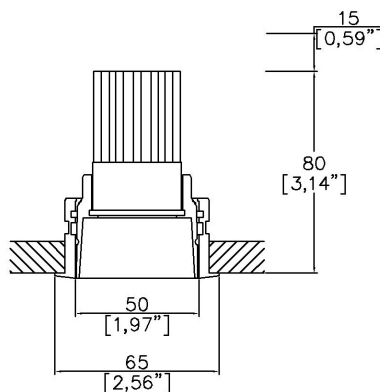
Soft50 Gen2 Fixed Trim

TM65.2 5kgCO2e

TM66 2.4 CEAM



Ø65mm (2.56") overall trim.
Available with standard trim kit or 3 flush trim options, depending on ceiling type and finish.
Family of matching products also available.



Soft50 Gen2 with Trim Kit TR1 ⁽¹⁾
Cut-out Ø61mm.
Required depth height +15mm.

	LED35/2	LED35/2	LED35/2
LED Source	LED35/2	LED35/2	LED35/2
CCT	3000K	3000K	3000K
Drive Current	350mA	350mA	350mA
Power inc Driver	7.4W	7.4W	7.4W
Beam Angle	15°	24°	36°
Delivered Lumens	550	545	542
Delivered Intensisty cd	3212	2240	1208
Efficacy lm/w	74	73	73
Forward Volt	18V	18V	18V
CRI	≥90 CRI	≥90 CRI	≥90 CRI

Apply these factors to 3000K for lumen output of other CCTs: 2200K x 0.65 / 2400K x 0.69 / 2700K x 0.941 / 4000K x 1.065.

Project Ref: _____

Location Ref: _____

Complete one of the following code builders

Non Fire Rated Code Builder

Fixture Order Code: – – – – –

Fixture SF50200	Soft50 Gen2 Fixed for LED
Installation TR1	Trim for Existing Ceilings (ceiling thickness 25mm max)
Body Finish WH03 BK01 RAL* ABR1 ABZ1	White RAL 9016 Black RAL 9005 Custom RAL Colour* Antique Brass Antique Bronze
Trim Finish WH03 BK01 RAL* ABR1 ABZ1	White RAL 9016 Black RAL 9005 Custom RAL Colour* Antique Brass Antique Bronze
IP Rating 20 54 65	IP20 IP54 IP65
Fire Rating 0	No Fire Rating

Fire Rated Code Builder

Fixture Order Code: – – – – –

Fixture SF50200	Soft50 Gen2 Fixed for LED
Installation TR1	Trim for Existing Ceilings (ceiling thickness 25mm max)
Body Finish WH03 BK01 RAL* ABR1 ABZ1	White RAL 9016 Black RAL 9005 Custom RAL Colour* Antique Brass Antique Bronze
Trim Finish WH03 BK01 RAL* ABR1 ABZ1	White RAL 9016 Black RAL 9005 Custom RAL Colour* Antique Brass Antique Bronze
IP Rating 54 65	IP54 IP65
Fire Rating FR ⁽³⁾	Fire Rated

(1) For any ceiling thickness or construction type not shown please contact Lucent

(2) Adjustment may be limited in thicker ceiling constructions. Refer to installation instructions for details.

(3) Tested and approved to EN 1363-1:2020 and EN 1365-2:2014 for 60 minutes Fire Rating - It is recommended to set the required tilt prior to installation, as the front glass restricts adjustment from below (see image on page 3).

LED Order Code:

LED35/2		
---------	--	--

LED
LED35/2

LED35 GEN2

CCT
 22***
 24***
 27
 30
 40***

90 CRI 2200K***
 90 CRI 2400K***
 90 CRI 2700K
 90 CRI 3000K
 90 CRI 4000K***

Beam

15 15°
 24 24°
 36 36°

***contact Lucent for availability

Driver Options:

Protocol

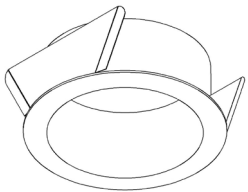
S Non-Dim
 A Analogue (0-10v)
 P Phase
 D DALI
 B Bluetooth**

Emergency Options:

Emergency

E Maintained 3hr Emergency
 ED Maintained 3hr DALI Self Test
 ES Maintained 3hr Self Test

Installation Kits



Trim Kit for Existing Ceilings

Fire rated fixture (IP65)



Finish selection



Antique Brass



Antique Bronze

Accessories



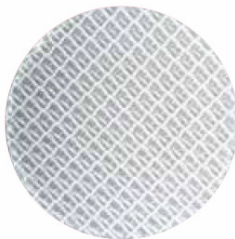
Honeycomb Louvre



Diffusing Lens



Frosted Lens



Heavy Spread Lens



Linear Spread Lens

Accessories Order Code:

Louvre/Lens

- LL45 Honeycomb Louvre
- LLDF Diffusing Lens
- LLFR Frosted Lens
- LLLS Linear Spread Lens
- LLHS Heavy Spread Lens

Technical Details

*Custom RAL code must be specified. Custom RAL colours can increase prices and lead times.

Dimming. Whilst Lucent can offer the majority of its luminaires with various dimming options, it remains the responsibility of the specifier/installer to check and ensure compatibility of any control equipment used. Additional cabling may be required depending on the dimming protocol specified.

**Bluetooth (wireless) is the communication method. The exact dimming protocol must be confirmed to allow the selection of suitable drivers or bluetooth devices.

^ Depth indicated is the minimum recess depth for the luminaire with a remote mounted LED driver. Installing a driver through either the luminaire cut-out or installation kit may require additional recess depth, please refer to the relevant luminaire installation instructions for further details. Data correct at time of publishing.

First Fix Requirement. Luminaire comprised of fixture body with ceiling trim and installation kit, which is to be fitted into the ceiling once finished. Ensure correct alignment of the installation kit before final assembly (see luminaire installation instructions for details).

IP Rating. Tested from underside of the ceiling.

Note that the picture of the finishes provided are for illustrative purposes only. The finishes may vary in colour, texture and appearance. Contact Lucent Lighting for more information.

It is the policy of Lucent Lighting to continually review and improve its products and therefore reserve the right to change any details of product or withdraw specifications without prior notice.

Luminaires designed to comply with EN60598 and all other standards.

This specification sheet supersedes all previous versions.

All intellectual property rights pertaining to the product described above and to this document are owned by or licensed to Lucent Lighting Ltd.

We reserve the right to take whatever action is necessary to protect those intellectual property rights.

Please notify Lucent Lighting Ltd of any inaccuracies immediately. E&OE