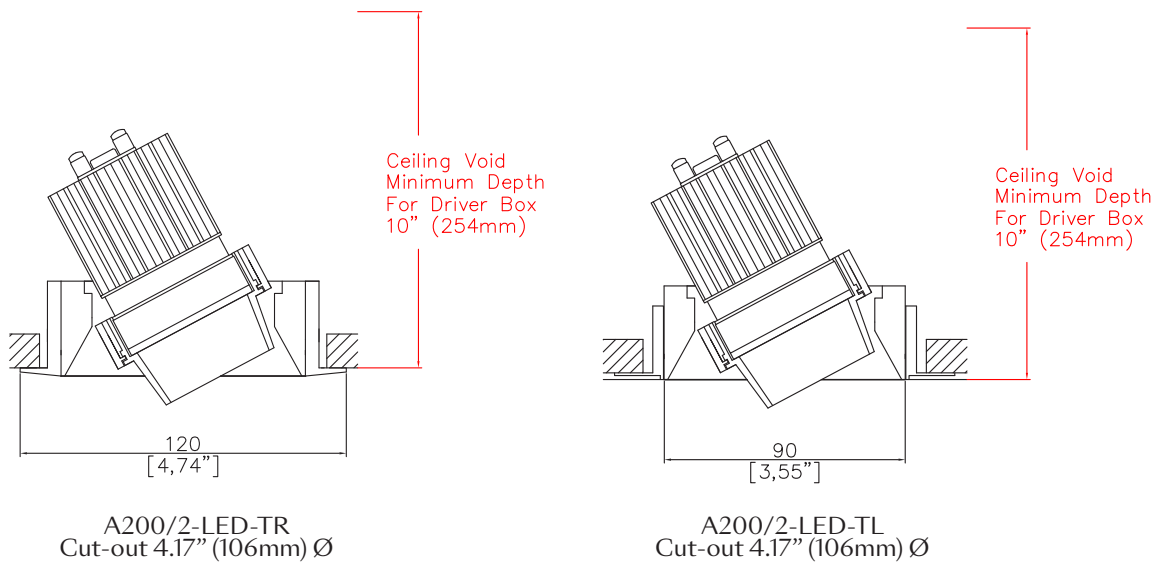


EasyFit Axis Mini2



4.72" (120mm) overall flange diameter. 3.54" (90mm) overall trimless diameter. Up to 35° tilt. Available with a separate installation kit with overlap flange or mud-in kit for seamless flush finish. Supplied with a remote driver box and a plug and play tethered power supply.



LED Source	ALED51/Q-HO	ALED51/Q-HO	ALED51/Q-HO	ALED51/Q-HO
CCT	3000K	3000K	3000K	3000K
Drive Current	350mA	350mA	350mA	350mA
Power inc Driver	14.0W	14.0W	14.0W	14.0W
Beam Angle	NF (17°)	MF (23°)	FL (30°)	WFL (44°)
Delivered Lumens	1315	1420	1361	1236
Delivered Intensity cd	9965	7711	5094	2303
Delivered Lumens per circuit watt	94	101	97	88
Forward Volt	34V	34V	34V	34V
CRI	≥90 CRI	≥90 CRI	≥90 CRI	≥90 CRI

Apply these factors to 3000K for lumen output of other CCTs: 2700K x 0.98 / 3500K x 1.01 / 4000K x 1.02.

Ceiling void minimum depth for driver box: 10.00" (254mm)

Project Ref: _____

Location Ref: _____

Specify fixture part number (All boxes must be filled in to correctly order)

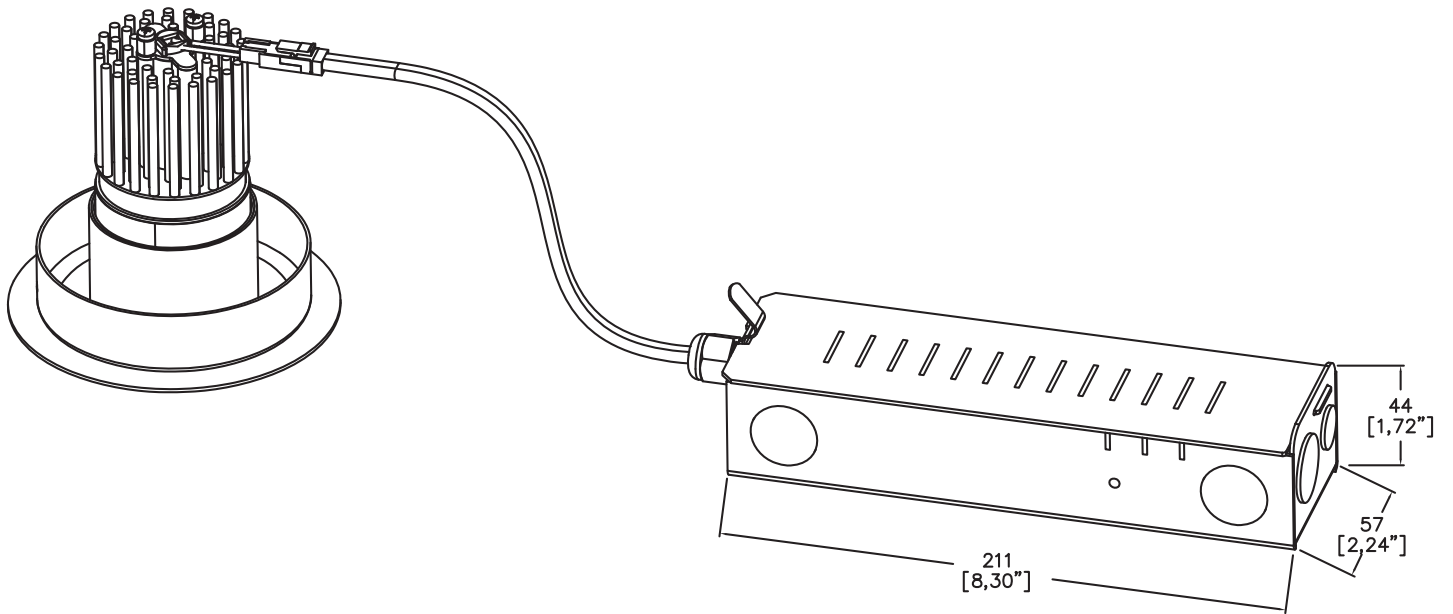
A200/2-LED			ALED51/Q-HO			ALEZI-120-277		
Installation _____ TR Installation kit with overlap flange TL Mud-in kit for seamless flush finish								
Finish _____ WH White BK Black RAL Custom* ABRI Antique Brass ABZI Antique Bronze PCHI Polished Chrome PNKI Polished Nickel PBRI Polished Brass								
LED Type _____ ALED51/Q-HO LED50 ONE Quantum High Output								
CCT _____ 27 2700K 30 3000K 35 3500K (1) 40 4000K (1)								
(1) contact Lucent for availability								
Beam Angles _____ NF Narrow Flood MF Medium Flood FL Flood WFL Wide Flood								
EasyFit _____ ALEZI-120-277 Lucent EasyFit 120-277V								
Dimming Protocol _____ SLA EldoLED Analog (0-10V) (0.1% Dimming) ECA EldoLED Analog (0-10V) (1% Dimming) SLD EldoLED DALI (0.1% Dimming) ECD EldoLED DALI (1% Dimming) PTB15 ERP PTB 0-10V/Phase (1% Dimming) (PHASE ONLY 120V) FTX15 Hatch Foundation 0-10V/Phase (1% Dimming)								
Contact Lucent factory for Lutron LED Driver options								
Louvre/Lens _____ XX Not required LL45 Honeycomb LLDF Solite/Diffusing LLFR Frosted Lens LLLS Linear Spread LLHS Heavy Spread								



NIC - No contact with insulation

Ceiling void minimum depth for driver box: 10.00" (254mm)

Fixture and EasyFit driver box



Installation Kits



Installation kit with overlap flange



Mud-in kit for seamless flush finish

Ceiling void minimum depth for driver box: 10.00" (254mm)

Finish selection



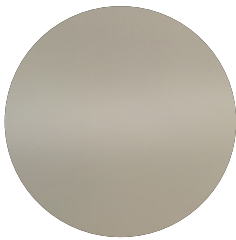
Antique Brass



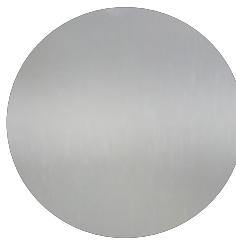
Antique Bronze



Polished Brass

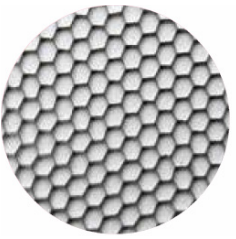


Polished Nickel



Polished Chrome

Accessories



Honeycomb Louvre



Diffusing Lens



Frosted Lens



Heavy Spread Lens



Linear Spread Lens

Technical Details

*Custom RAL code must be specified. Custom RAL colours can increase prices and lead times

Dimming. Whilst Lucent can offer the majority of its luminaires with various dimming options, it remains the responsibility of the specifier/installer to check and ensure compatibility of any control equipment used. Additional cabling may be required depending on the dimming protocol specified.

^ Depth indicated is the minimum recess depth for the driver to be installed through the luminaire cut out.

First Fix Requirement. Luminaire comprised of fixture body with ceiling trim and installation kit, which is to be fitted into the ceiling once finished. Ensure correct alignment of the installation kit before final assembly (see luminaire installation instructions for details)

Location. Tested from underside of the ceiling

It is the policy of Lucent Lighting to continually review and improve its products and therefore reserve the right to change any details of product or withdraw specifications without prior notice.

This specification sheet supersedes all previous versions.

All intellectual property rights pertaining to the product described above and to this document are owned by or licensed to Lucent Lighting Ltd.

We reserve the right to take whatever action is necessary to protect those intellectual property rights.

Please notify Lucent Lighting Ltd of any inaccuracies immediately. E&OE