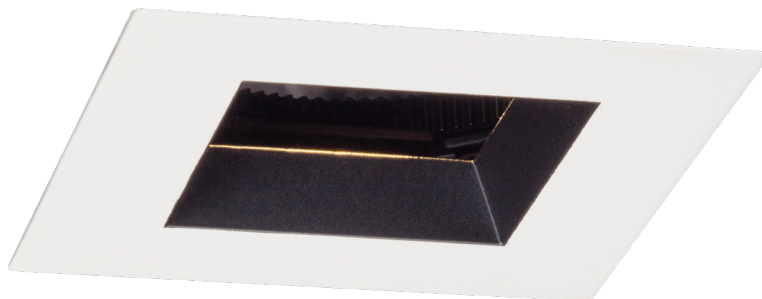
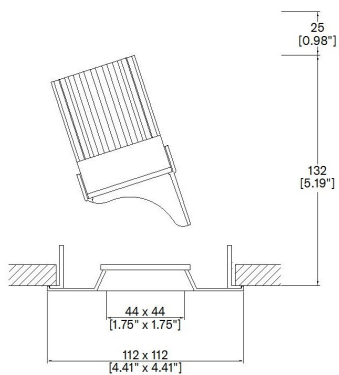


# Plus3.5 Square Bevel Accent Non-Locking



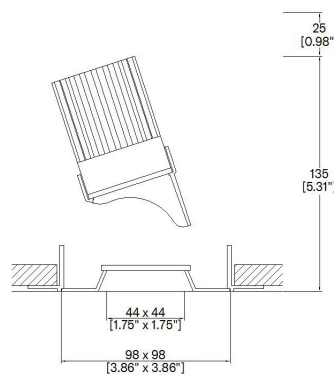
Plus provides high performance electronics and architectural aesthetics in round and square 3.5" and 5" trim. Plus products include adjustable, fixed and wallwash in a flanged or trimless installation kit. Adjustable can be provided with gear driven adjustment or manual adjustment. Available in various front plates (Conical, Bevel, Edge, Pyramidal and Square Bevel) Bevel and Square Bevel available with various color inserts. Tray, retrofit and housing installation methods (NIC, IC, AT, T24 and CCEA) Multiple configurations for equal spacing also available. Lucent modules available in a wide range of color temperatures, beam angles, intensities, and effects (Ambiance WarmDim and Dynamic Tuneable White). MR16 and GU10 LED lamp options available. TRIAC/Phase, 0-10v/1-10v, DMX and DALI/Digital dimming.



A093+33-NL-LED-TR-SQ  
359° rotation. Up to 45° tilt.  
Cut-out 102 x 102mm  
(4.02" x 4.02")



**Installation kit for overlap flange**



A093+33-NL-LED-TL-SQ  
359° rotation. Up to 45° tilt.  
Cut-out 102 x 102mm  
(4.02" x 4.02")



**Mud-in kit for seamless/trimless**

LED Source	LED51/2	LED51/2	LED51/2	LED51/2	LED51/U	LED51/U	LED51/U	LED51/U
CCT	3000K	3000K	3000K	3000K	3000K	3000K	3000K	3000K
Drive Current	350mA	350mA	350mA	350mA	350mA	350mA	350mA	350mA
Power inc Driver	13.6W	13.6W	13.6W	13.6W	13.6W	13.6W	13.6W	13.6W
Beam Angle	12°	24°	38°	55°	12°	24°	38°	55°
Delivered Lumens	710	818	855	733	684	663	789	622
Delivered Intensisty cd	10152	4295	2592	1168	10275	3949	2202	998
Efficacy lm/w	53	60	63	54	50	49	58	46
Forward Volt	33V	33V	33V	33V	33V	33V	33V	33V
CRI	≥90 CRI	≥90 CRI	≥90 CRI	≥90 CRI	≥98 CRI	≥98 CRI	≥98 CRI	≥98 CRI

Project Ref: \_\_\_\_\_

Location Ref: \_\_\_\_\_

Specify fixture part number (All boxes must be filled in to correctly order)

A093+33-NL-LED													
----------------	--	--	--	--	--	--	--	--	--	--	--	--	--

**Installation**

- TR-SQ Flange kit
- TL-SQ Mud-in kit

**Finish**

- WH White
- BK Black

**Location**

- XX Dry
- DP Damp

**Ceiling Thickness**

- SC Standard Ceiling (1/2"-5/8"-3/4")
- C Custom

**LED Type**

- LED51/2 LED51/2 (90CRI)
- LED51/U LED51/U (98CRI)

**CCT**

- 27 2700K
- 30 3000K
- 35 3500K
- 40 4000K (90 CRI ONLY)

**Beam Angles**

- 12 12
- 24 24
- 38 38
- 55 55

**Housing/Tray**

- LMT-13-NIC Mounting Tray Non-Insulated ceilings
- LH-6.75-NIC Housing 6.75" Non-Insulated ceilings
- LH-8.50-AT/IC Housing 8.50" Insulated/Air-tight ceilings and Chicago Plenum

**Mounting Hardware**

- 09 9" to 15.25" - Adjustable Bar Hanger Lengths
- 14 14" to 24" - Adjustable Bar Hanger Lengths
- 36 28" to 36" - Adjustable Bar Hanger Lengths
- BB Butterfly Bracket
- CB Caterpillar Bracket

**Supply Voltage**

- 120 120V
- 277 277V

**Dimming Protocol**

- S Non-Dimmable
- P TRIAC/Phase (120V ONLY) (25-10% Minimum Dimming)\*\*\*
- AWN Athena wireless RF node\*\*\*\*
- LHE EcoSystem Hi-Lume Fade to Black (1% Dimming)
- LAE Lutron 3-Wire Hi-Lume (1% Dimming)
- LHP Lutron Hi-Lume Premier EcoSystem (0.1% Dimming)
- A 0-10V (15-5% Minimum Dimming)\*\*\*
- ESD EldoLED Solo DALI2 (0.1% Dimming)
- EED EldoLED Eco DALI2 (1% Dimming)
- ESA EldoLED Solo 0-10V/1-10V (0.1% Dimming)
- EEA EldoLED Eco 0-10V/1-10V (1% Dimming)
- B Bluetooth\*\*

**Emergency**

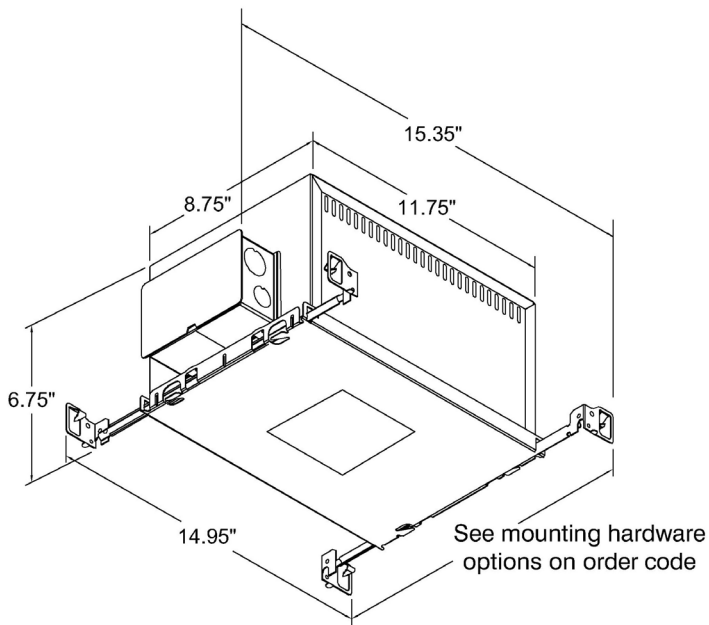
- E 1.5h Emergency
- ES 1.5h Self test

**Louvre/Lens**

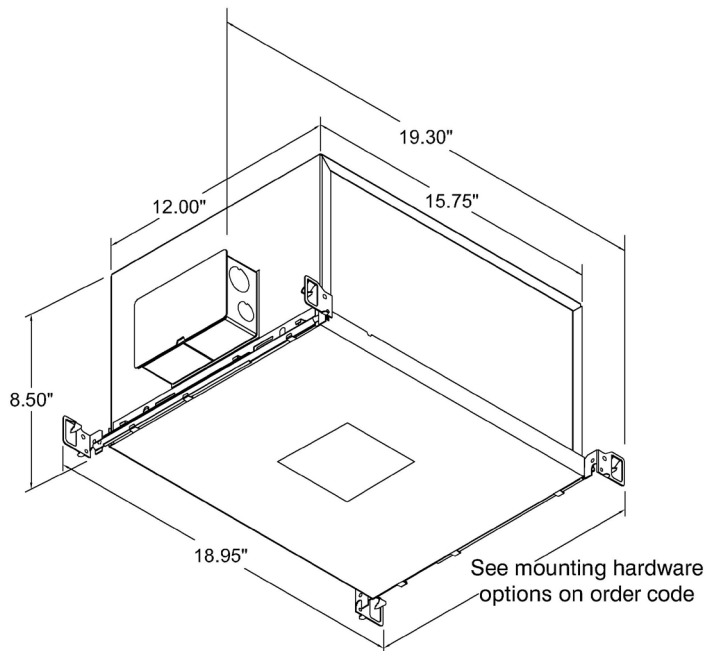
- XX Not required
- LL45 Honeycomb
- LLCC Warm Tone
- LLUV UV
- LLDF Solite/Diffusing
- LLFR Frosted Lens
- LLLS Linear Spread
- LLHS Heavy Spread

\*Refer to Technical Details for more information

## Housing dimensions

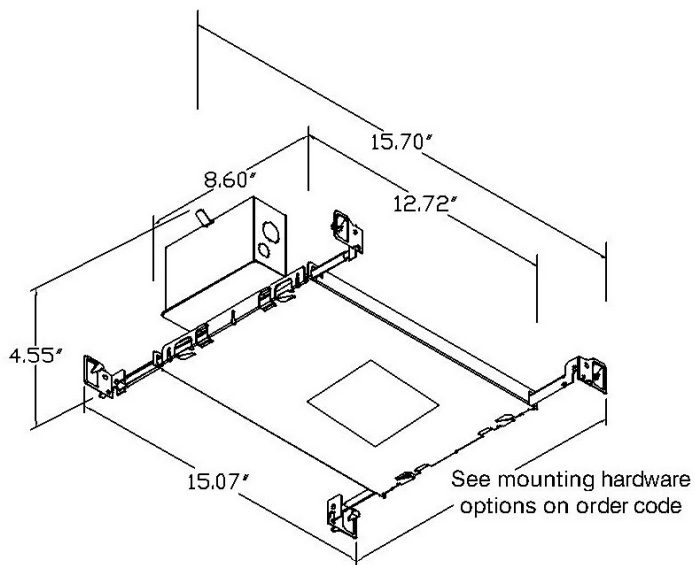


LH-6.75  
Non-insulated ceilings



LH-8.50  
Insulated/air-tight ceilings and  
Chicago Plenum

## Tray dimensions



LMT-13  
Non-insulated ceilings



**Honeycomb Louvre (LL45)**



**Solite/Diffusing Lens (LLDF)**



**Frosted Lens (LLFR)**



**Heavy Spread Lens (LLHS)**



**Linear Spread Lens (LLLS)**



**Warm Tone (LLCC)**

---

## Technical Details

\*Custom color requires a paint chip or RAL code and may increase price and lead-time

It is the responsibility of the specifier/integrator/installer to check and ensure compatibility of any control equipment used. Additional cabling may be required depending on the dimming protocol specified.

\*\*DALI Type 6 requires two DALI addresses, one for CCT control the other for intensity control. DALI Type 8 is a single DALI Type 8 address for CCT and intensity control. Please check which control system is being used before specifying.

\*\*\*\* Available for integration with Lutron Athena Control systems. Please contact Lucent Lighting Inc./Lutron factory for further details.

^ Depth indicated is the minimum recess depth for the luminaire with a remote mounted LED driver. Installing a driver through either the luminaire cut-out or installation kit may require additional recess depth, please refer to the relevant installation instructions prior to purchase.

First Fix Requirement. Luminaire comprised of fixture body with ceiling trim and installation kit, which is to be fitted into the ceiling once finished. Ensure correct alignment of the installation kit before final assembly (see luminaire installation instructions for details)

Location. Tested from underside of the ceiling.

Data correct at time of publishing. It is the policy of Lucent Lighting to continually review and improve its products and therefore reserve the right to change any details of product or withdraw specifications without prior notice.

This specification sheet supersedes all previous versions.

All intellectual property rights pertaining to the product described above and to this document are owned by or licensed to Lucent Lighting, Incorporated. Lucent Lighting reserves the right to take whatever action is necessary to protect its intellectual property, patents and trademarks

Please notify Lucent Lighting Inc. inaccuracies. E&OE

---



**Light efficiency:**

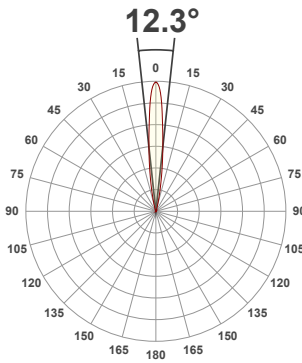
**53 Lumen/Watt**

**Light quality:**

**CRI: 92.2**

**Color temperature:**

**3000 K**



**Product name:**

**Plus Square Non-Locking - LED51 GEN2, 3000K, 12°, 350mA**

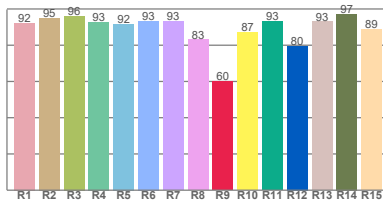
**Item number:**

**093+33-NL-SQ-LED51/2-30-12-350mA**

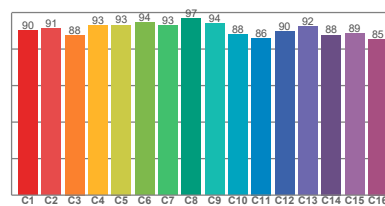
**Delivered information for above fixture and LED combination.**

**Output: 710 Lumen Peak intensity: 10152 cd Power consumption: 13.6**

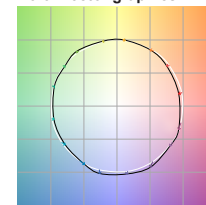
**CRI R values**



**TM30 C Values**

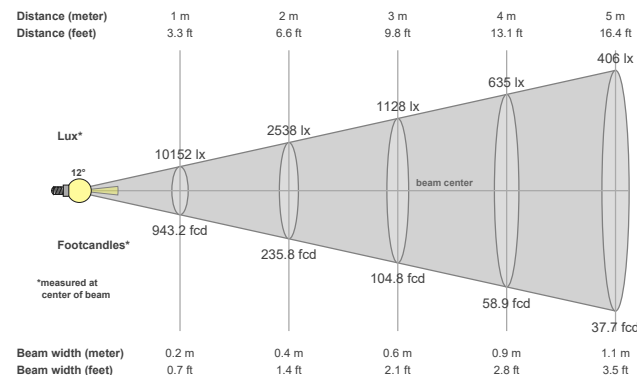


**Color vector graphics**



Color temperature	Color rendering index	Red component	Color fidelity	Color gamut	Color quality scale	Color coordinate cie 1931	Color coordinate cie 1931	Color coordinate	Color coordinate	Color deviation from black body
CCT	CRI	CRI R9	TM30 Rf	TM30 Rg	CQS	x	y	u	v	Δuv
3000 K	92.2	59.9	90.7	100.0	90.5	0.437	0.404	0.248	0.347	0.0002

**Beam details**



**Beam angles**

Beam angle 50%	Field angle 10%	Cutoff angle 2,5%
12.3°	25.8°	36.7°

**Beam intensities**

Peak intensity	Int. ratio in 120° cone	Int. ratio in 90° cone
10152 cd	99.6%	99.5%

**Beam intensities from 1-20m**

1m	2m	3m	4m	5m	6m	7m	8m	9m	10m	11m	12m	13m	14m	15m	16m	17m	18m	19m	20m
3.3ft	6.6ft	9.8ft	13.1ft	16.4ft	19.7ft	23ft	26.2ft	29.5ft	32.8ft	36.1ft	39.4ft	42.7ft	45.9ft	49.2ft	52.5ft	55.8ft	59.1ft	62.3ft	65.6ft
10152lx	2538lx	1128lx	635lx	406lx	282lx	207lx	159lx	125lx	102lx	84lx	71lx	60lx	52lx	45lx	40lx	35lx	31lx	28lx	25lx
943.2fcd	235.8fcd	104.8fcd	58.9fcd	37.7fcd	26.2fcd	19.2fcd	14.7fcd	11.6fcd	9.4fcd	7.8fcd	6.5fcd	5.6fcd	4.8fcd	4.2fcd	3.7fcd	3.3fcd	2.9fcd	2.6fcd	2.4fcd

The above information is for 3000K colour temperature, for specific module information please see LED spec located on our website

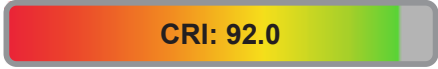
For information regarding other colour temperatures please use the following factors for lumen output and candelas:

2700K = 1  
4000K = 1.084

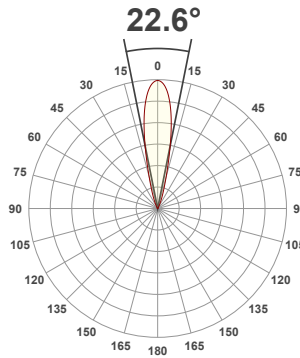
Light efficiency:



Light quality:



Color temperature:



Product name:

**Plus Square Non-Locking - LED51 GEN2, 3000K, 24°, 350mA**

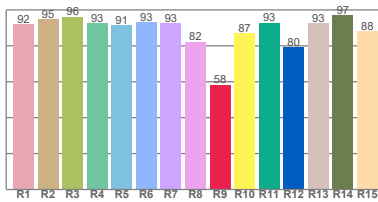
Item number:

**093+33-NL-SQ-LED51/2-30-24-350mA**

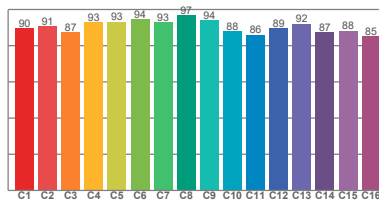
**Delivered information for above fixture and LED combination.**

**Output: 818 Lumen Peak intensity: 4295 cd Power consumption: 13.6**

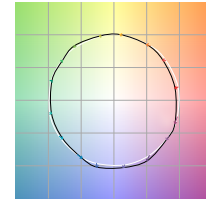
CRI R values



TM30 C Values

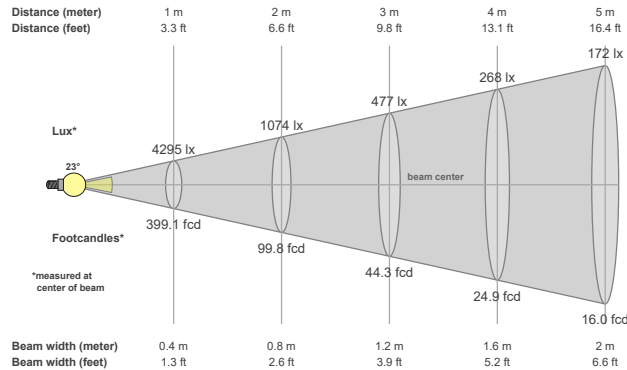


Color vector graphics



Color temperature	Color rendering index	Red component	Color fidelity	Color gamut	Color quality scale	Color coordinate cie 1931	Color coordinate cie 1931	Color coordinate	Color coordinate	Color deviation from black body
CCT	CRI	CRI R9	TM30 Rf	TM30 Rg	CQS	x	y	u	v	Δuv
3000 K	92.0	58.5	90.5	99.9	90.4	0.437	0.404	0.249	0.347	0.0003

### Beam details



### Beam angles

Beam angle 50%	Field angle 10%	Cutoff angle 2,5%
22.6°	40.8°	55.1°

### Beam intensities

Peak intensity	Int. ratio in 120° cone	Int. ratio in 90° cone
4295 cd	97.4%	94.8%

### Beam intensities from 1-20m

1m	2m	3m	4m	5m	6m	7m	8m	9m	10m	11m	12m	13m	14m	15m	16m	17m	18m	19m	20m
3.3ft	6.6ft	9.8ft	13.1ft	16.4ft	19.7ft	23ft	26.2ft	29.5ft	32.8ft	36.1ft	39.4ft	42.7ft	45.9ft	49.2ft	52.5ft	55.8ft	59.1ft	62.3ft	65.6ft
4295lx	1074lx	477lx	268lx	172lx	119lx	88lx	67lx	53lx	43lx	35lx	30lx	25lx	22lx	19lx	17lx	15lx	13lx	12lx	11lx
399.1fcd	99.8fcd	44.3fcd	24.9fcd	16fcd	11.1fcd	8.1fcd	6.2fcd	4.9fcd	4fcd	3.3fcd	2.8fcd	2.4fcd	2fcd	1.8fcd	1.6fcd	1.4fcd	1.2fcd	1.1fcd	1fcd

The above information is for 3000K colour temperature, for specific module information please see LED spec located on our website

For information regarding other colour temperatures please use the following factors for lumen output and candelas:

2700K =1

4000K =1.084

Light efficiency:

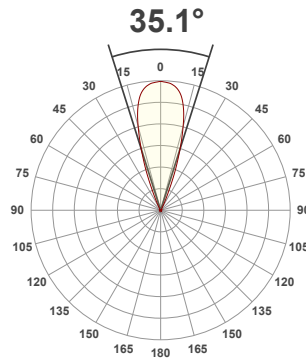
**63 Lumen/Watt**

Light quality:

**CRI: 92.0**

Color temperature:

**3000 K**



Product name:

**Plus Square Non-Locking - LED51 GEN2, 3000K, 38°, 350mA**

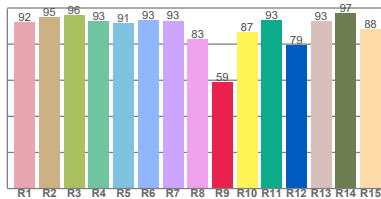
Item number:

**093+33-NL-SQ-LED51/2-30-38-350mA**

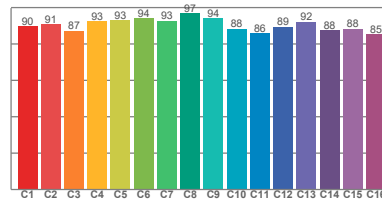
**Delivered information for above fixture and LED combination.**

**Output: 855 Lumen Peak intensity: 2592 cd Power consumption: 13.6**

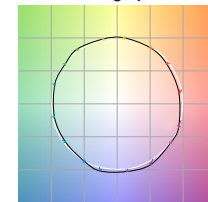
CRI R values



TM30 C Values

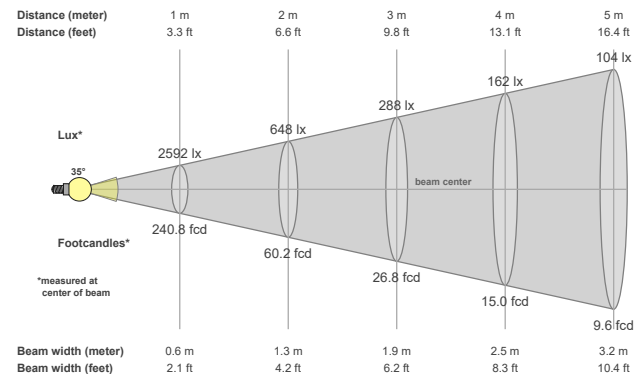


Color vector graphics



Color temperature	Color rendering index	Red component	Color fidelity	Color gamut	Color quality scale	Color coordinate cie 1931	Color coordinate cie 1931	Color coordinate	Color coordinate	Color deviation from black body
CCT	CRI	CRI R9	TM30 Rf	TM30 Rg	CQS	x	y	u	v	Δuv
3000 K	92.0	59.0	90.5	100.0	90.4	0.437	0.404	0.248	0.347	0.0004

### Beam details



### Beam angles

Beam angle 50%	Field angle 10%	Cutoff angle 2,5%
35.1°	49.4°	61.1°

### Beam intensities

Peak intensity	Int. ratio in 120° cone	Int. ratio in 90° cone
2592 cd	99.9%	99.8%

### Beam intensities from 1-20m

1m	2m	3m	4m	5m	6m	7m	8m	9m	10m	11m	12m	13m	14m	15m	16m	17m	18m	19m	20m
3.3ft	6.6ft	9.8ft	13.1ft	16.4ft	19.7ft	23ft	26.2ft	29.5ft	32.8ft	36.1ft	39.4ft	42.7ft	45.9ft	49.2ft	52.5ft	55.8ft	59.1ft	62.3ft	65.6ft
2592lx	648lx	288lx	162lx	104lx	72lx	53lx	40lx	32lx	26lx	21lx	18lx	15lx	13lx	12lx	10lx	9lx	8lx	7lx	6lx
240.8fcd	60.2fcd	26.8fcd	15fcd	9.6fcd	6.7fcd	4.9fcd	3.8fcd	3fcd	2.4fcd	2fcd	1.7fcd	1.4fcd	1.2fcd	1.1fcd	0.9fcd	0.8fcd	0.7fcd	0.7fcd	0.6fcd

The above information is for 3000K colour temperature, for specific module information please see LED spec located on our website

For information regarding other colour temperatures please use the following factors for lumen output and candelas:

2700K = 1

4000K = 1.084

Light efficiency:

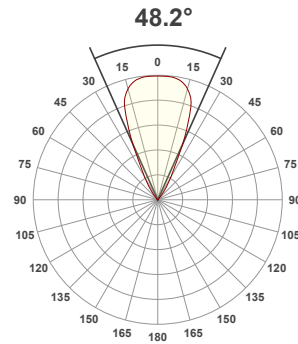
**54 Lumen/Watt**

Light quality:

**CRI: 92.0**

Color temperature:

**3000 K**



Product name:

**Plus Square Non-Locking - LED51 GEN2, 3000K, 55°, 350mA**

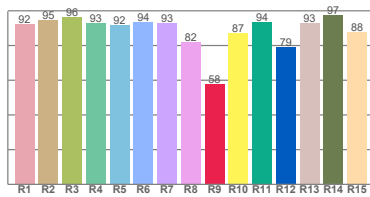
Item number:

**093+33-NL-SQ-LED51/2-30-55-350mA**

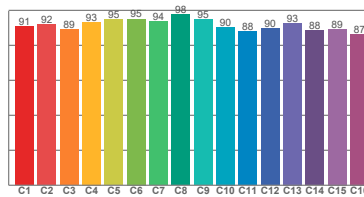
Delivered information for above fixture and LED combination.

**Output: 733 Lumen Peak intensity: 1168 cd Power consumption: 13.6**

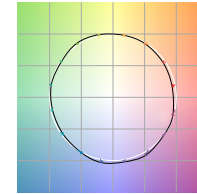
CRI R values



TM30 C Values

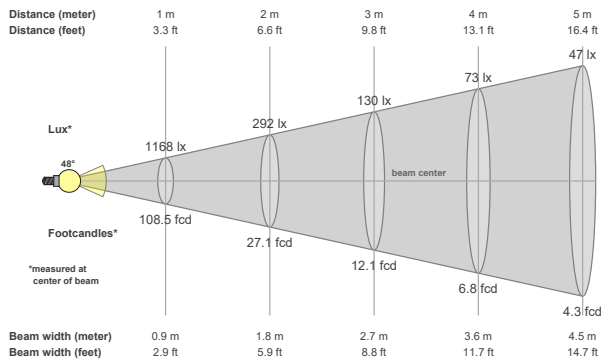


Color vector graphics



Color temperature	Color rendering index	Red component	Color fidelity	Color gamut	Color quality scale	Color coordinate cie 1931	Color coordinate cie 1931	Color coordinate	Color coordinate	Color deviation from black body
CCT	CRI	CRI R9	TM30 Rf	TM30 Rg	CQS	x	y	u	v	Δuv
3000 K	92.0	57.5	91.6	99.7	90.5	0.437	0.404	0.251	0.348	0.0008

**Beam details**



**Beam angles**

Beam angle 50%	Field angle 10%	Cutoff angle 2,5%
48.2°	70.4°	82.3°

**Beam intensities**

Peak intensity	Int. ratio in 120° cone	Int. ratio in 90° cone
1168 cd	99.6%	99.3%

**Beam intensities from 1-20m**

1m	2m	3m	4m	5m	6m	7m	8m	9m	10m	11m	12m	13m	14m	15m	16m	17m	18m	19m	20m
3.3ft	6.6ft	9.8ft	13.1ft	16.4ft	19.7ft	23ft	26.2ft	29.5ft	32.8ft	36.1ft	39.4ft	42.7ft	45.9ft	49.2ft	52.5ft	55.8ft	59.1ft	62.3ft	65.6ft
1168lx	292lx	130lx	73lx	47lx	32lx	24lx	18lx	14lx	12lx	10lx	8lx	7lx	6lx	5lx	5lx	4lx	4lx	3lx	3lx
108.5fcd	27.1fcd	12.1fcd	6.8fcd	4.3fcd	3fcd	2.2fcd	1.7fcd	1.3fcd	1.1fcd	0.9fcd	0.8fcd	0.6fcd	0.6fcd	0.5fcd	0.4fcd	0.4fcd	0.3fcd	0.3fcd	0.3fcd

The above information is for 3000K colour temperature, for specific module information please see LED spec located on our website

For information regarding other colour temperatures please use the following factors for lumen output and candelas:

2700K = 1  
4000K = 1.084



Light efficiency:

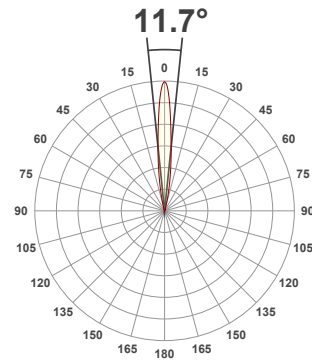
**50 Lumen/Watt**

Light quality:

**CRI: 97.8**

Color temperature:

**3000 K**



Product name:

**093+NL-33-LED-SQ - LED51\_U-30-12-350mA**

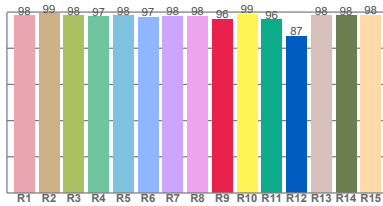
Item number:

**Plus Square Bevel Non-Locking Accent - LED51\_U-30-12-350mA**

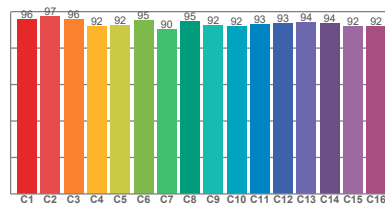
**Delivered information for above fixture and LED combination.**

**Output: 684 Lumen Peak intensity: 10275 cd Power consumption: 13.6**

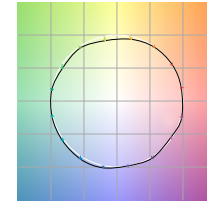
CRI R values



TM30 C Values

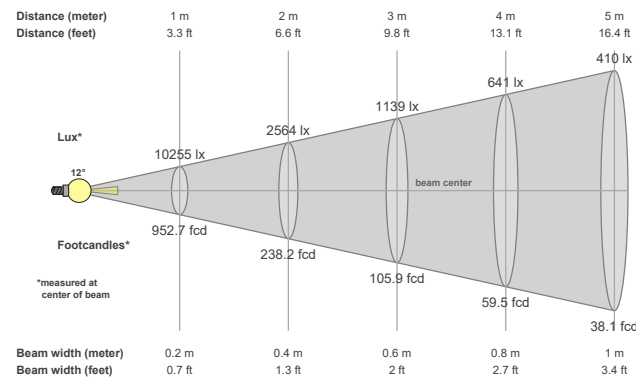


Color vector graphics



Color temperature	Color rendering index	Red component	Color fidelity	Color gamut	Color quality scale	Color coordinate cie 1931	Color coordinate cie 1931	Color coordinate	Color coordinate	Color deviation from black body
CCT	CRI	CRI R9	TM30 Rf	TM30 Rg	CQS	x	y	u	v	Δuv
3000 K	97.8	95.9	93.6	98.7	94.8	0.437	0.404	0.249	0.349	0.0015

## Beam details



## Beam angels

Beam angle 50%	Field angle 10%	Cutoff angle 2,5%
11.7°	25.8°	35.1°

## Beam intensities

Peak intensity	Int. ratio in 120° cone	Int. ratio in 90° cone
10275 cd	99.8%	99.7%

## Beam intensities from 1-20m

1m	2m	3m	4m	5m	6m	7m	8m	9m	10m	11m	12m	13m	14m	15m	16m	17m	18m	19m	20m
3.3ft	6.6ft	9.8ft	13.1ft	16.4ft	19.7ft	23ft	26.2ft	29.5ft	32.8ft	36.1ft	39.4ft	42.7ft	45.9ft	49.2ft	52.5ft	55.8ft	59.1ft	62.3ft	65.6ft
10255lx	2564lx	1139lx	641lx	410lx	285lx	209lx	160lx	127lx	103lx	85lx	71lx	61lx	52lx	46lx	40lx	35lx	32lx	28lx	26lx
952.7fcd	238.2fcd	105.9fcd	59.5fcd	38.1fcd	26.5fcd	19.4fcd	14.9fcd	11.8fcd	9.5fcd	7.9fcd	6.6fcd	5.6fcd	4.9fcd	4.2fcd	3.7fcd	3.3fcd	2.9fcd	2.6fcd	2.4fcd

The above information is for 3000K colour temperature, for specific module information please see LED spec located on our website

For information regarding other colour temperatures please use the following factors for lumen output and candelas:

2700K = 1

Light efficiency:

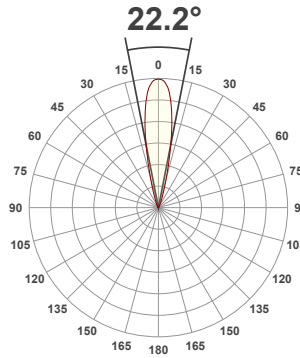
**49 Lumen/Watt**

Light quality:

**CRI: 97.7**

Color temperature:

**3000 K**



Product name:

**093+NL-33-LED-SQ - LED51\_U-30-24-350mA**

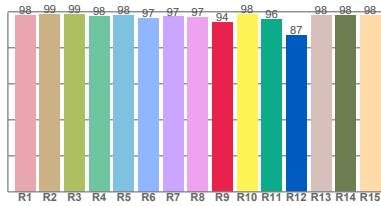
Item number:

**Plus Square Bevel Non-Locking Accent - LED51\_U-30-24-350mA**

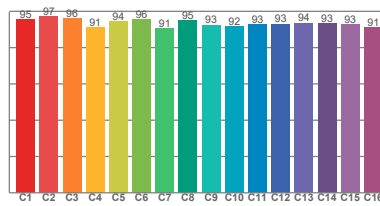
Delivered information for above fixture and LED combination.

Output: 663 Lumen Peak intensity: 3949 cd Power consumption: 13.6

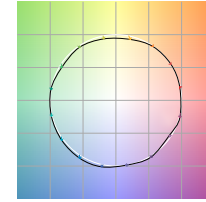
CRI R values



TM30 C Values

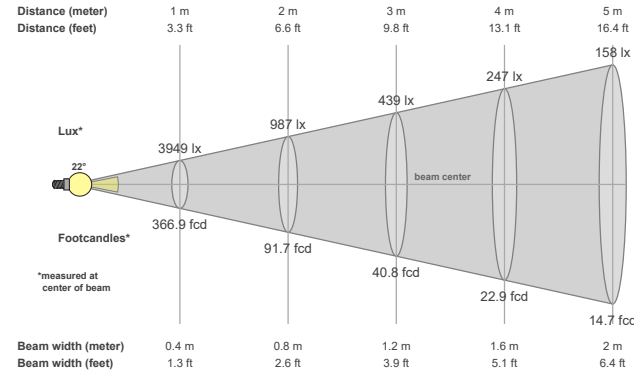


Color vector graphics



Color temperature	Color rendering index	Red component	Color fidelity	Color gamut	Color quality scale	Color coordinate cie 1931	Color coordinate cie 1931	Color coordinate	Color coordinate	Color deviation from black body
CCT	CRI	CRI R9	TM30 Rf	TM30 Rg	CQS	x	y	u	v	Δuv
3000 K	97.7	94.4	93.7	98.8	95.2	0.437	0.404	0.251	0.349	0.0008

## Beam details



## Beam angles

Beam angle 50%	Field angle 10%	Cutoff angle 2,5%
22.2°	38.6°	53.2°

## Beam intensities

Peak intensity	Int. ratio in 120° cone	Int. ratio in 90° cone
3949 cd	99.7%	99.5%

## Beam intensities from 1-20m

1m	2m	3m	4m	5m	6m	7m	8m	9m	10m	11m	12m	13m	14m	15m	16m	17m	18m	19m	20m
3.3ft	6.6ft	9.8ft	13.1ft	16.4ft	19.7ft	23ft	26.2ft	29.5ft	32.8ft	36.1ft	39.4ft	42.7ft	45.9ft	49.2ft	52.5ft	55.8ft	59.1ft	62.3ft	65.6ft
3949lx	987lx	439lx	247lx	158lx	110lx	81lx	62lx	49lx	39lx	33lx	27lx	23lx	20lx	18lx	15lx	14lx	12lx	11lx	10lx
366.9fcd	91.7fcd	40.8fcd	22.9fcd	14.7fcd	10.2fcd	7.5fcd	5.7fcd	4.5fcd	3.7fcd	3fcd	2.5fcd	2.2fcd	1.9fcd	1.6fcd	1.4fcd	1.3fcd	1.1fcd	1fcd	0.9fcd

The above information is for 3000K colour temperature, for specific module information please see LED spec located on our website

For information regarding other colour temperatures please use the following factors for lumen output and candelas:

2700K = 1

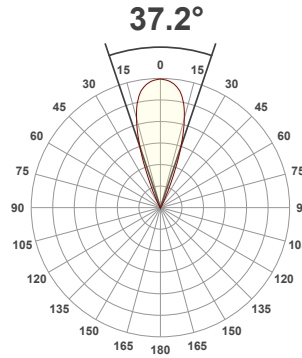
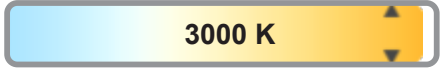
Light efficiency:



Light quality:



Color temperature:



Product name:

**093+NL-33-LED-SQ - LED51\_U-30-38-350mA**

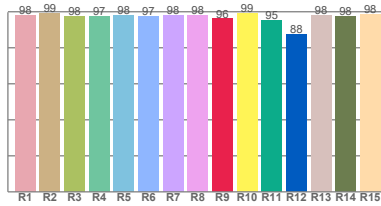
Item number:

**Plus Square Bevel Non-Locking Accent - LED51\_U-30-38-350mA**

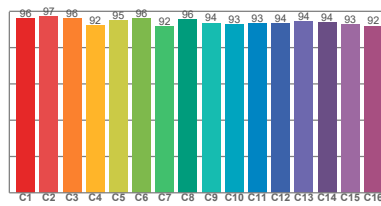
**Delivered information for above fixture and LED combination.**

**Output: 789 Lumen Peak intensity: 2202 cd Power consumption: 13.6**

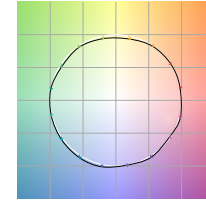
CRI R values



TM30 C Values

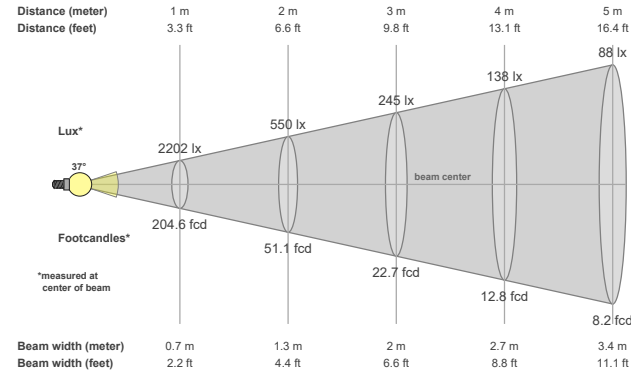


Color vector graphics



Color temperature	Color rendering index	Red component	Color fidelity	Color gamut	Color quality scale	Color coordinate cie 1931	Color coordinate cie 1931	Color coordinate	Color coordinate	Color deviation from black body
CCT	CRI	CRI R9	TM30 Rf	TM30 Rg	CQS	x	y	u	v	Δuv
3000 K	98.0	96.1	94.3	99.4	95.4	0.437	0.404	0.250	0.349	0.0012

**Beam details**



**Beam angles**

Beam angle 50%	Field angle 10%	Cutoff angle 2,5%
37.2°	51.4°	62.2°

**Beam intensities**

Peak intensity	Int. ratio in 120° cone	Int. ratio in 90° cone
2202 cd	99.7%	99.5%

**Beam intensities from 1-20m**

1m	2m	3m	4m	5m	6m	7m	8m	9m	10m	11m	12m	13m	14m	15m	16m	17m	18m	19m	20m
3.3ft	6.6ft	9.8ft	13.1ft	16.4ft	19.7ft	23ft	26.2ft	29.5ft	32.8ft	36.1ft	39.4ft	42.7ft	45.9ft	49.2ft	52.5ft	55.8ft	59.1ft	62.3ft	65.6ft
2202lx	550lx	245lx	138lx	88lx	61lx	45lx	34lx	27lx	22lx	18lx	15lx	13lx	11lx	10lx	9lx	8lx	7lx	6lx	6lx
204.6fcd	51.1fcd	22.7fcd	12.8fcd	8.2fcd	5.7fcd	4.2fcd	3.2fcd	2.5fcd	2fcd	1.7fcd	1.4fcd	1.2fcd	1fcd	0.9fcd	0.8fcd	0.7fcd	0.6fcd	0.6fcd	0.5fcd

The above information is for 3000K colour temperature, for specific module information please see LED spec located on our website

For information regarding other colour temperatures please use the following factors for lumen output and candelas:

2700K = 1

Light efficiency:

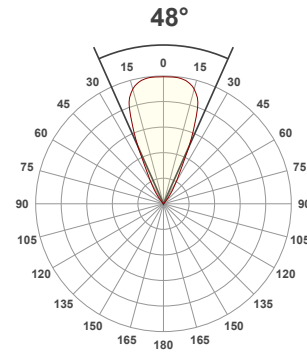
**46 Lumen/Watt**

Light quality:

**CRI: 98.0**

Color temperature:

**3000 K**



Product name:

**093+NL-33-LED-SQ -  
LED51\_U-30-55-350mA**

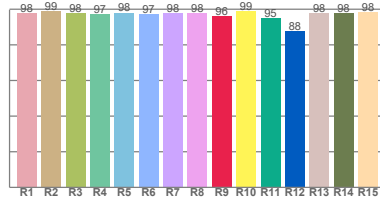
Item number:

**Plus Square Bevel Non-Locking  
Accent - LED51\_U-30-55-350mA**

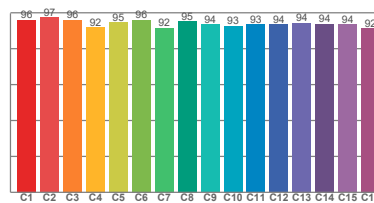
Delivered information for above  
fixture and LED combination.

Output: 622 Lumen Peak intensity: 998 cd Power consumption: 13.6

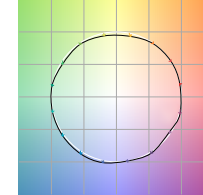
CRI R values



TM30 C Values

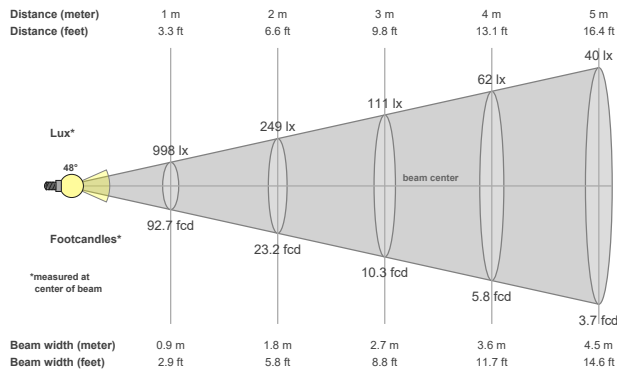


Color vector graphics



Color temperature	Color rendering index	Red component	Color fidelity	Color gamut	Color quality scale	Color coordinate cie 1931	Color coordinate cie 1931	Color coordinate	Color coordinate	Color deviation from black body
CCT	CRI	CRI R9	TM30 Rf	TM30 Rg	CQS	x	y	u	v	Δuv
3000 K	98.0	96.0	94.2	99.2	95.3	0.437	0.404	0.251	0.348	0.0013

### Beam details



### Beam angles

Beam angle 50%	Field angle 10%	Cutoff angle 2,5%
48°	70.1°	82.2°

### Beam intensities

Peak intensity	Int. ratio in 120° cone	Int. ratio in 90° cone
998 cd	99.6%	99.3%

### Beam intensities from 1-20m

1m	2m	3m	4m	5m	6m	7m	8m	9m	10m	11m	12m	13m	14m	15m	16m	17m	18m	19m	20m
3.3ft	6.6ft	9.8ft	13.1ft	16.4ft	19.7ft	23ft	26.2ft	29.5ft	32.8ft	36.1ft	39.4ft	42.7ft	45.9ft	49.2ft	52.5ft	55.8ft	59.1ft	62.3ft	65.6ft
998lx	249lx	111lx	62lx	40lx	28lx	20lx	16lx	12lx	10lx	8lx	7lx	6lx	5lx	4lx	4lx	3lx	3lx	3lx	2lx
92.7fcd	23.2fcd	10.3fcd	5.8fcd	3.7fcd	2.6fcd	1.9fcd	1.4fcd	1.1fcd	0.9fcd	0.8fcd	0.6fcd	0.5fcd	0.5fcd	0.4fcd	0.4fcd	0.3fcd	0.3fcd	0.3fcd	0.2fcd

The above information is for 3000K colour temperature, for specific module information please see LED spec located on our website

For information regarding other colour temperatures please use the following factors for lumen output and candelas:

2700K = 1