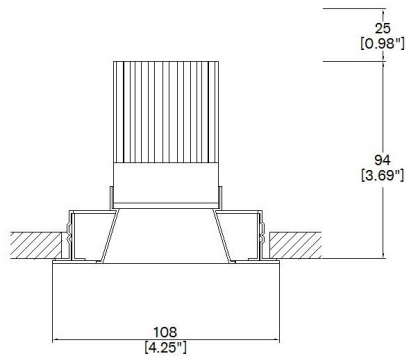


Duo Fixed



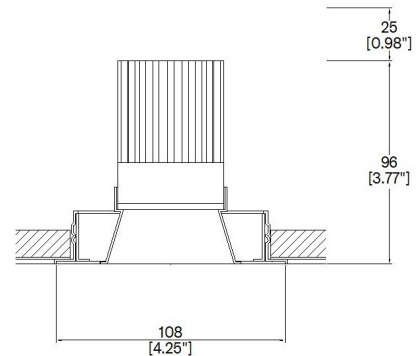
Duo provides high performance electronics and architectural aesthetics in 4.25” trim. Duo products include adjustable, fixed and wall wash in a flanged or trimless installation kit. Tray, retrofit and housing installation methods (NIC, IC, AT, T24 and CCEA) Multiple configurations for equal spacing also available. Lucent modules available in a wide range of color temperatures, beam angles, intensities, and effects (Ambiance WarmDim and Dynamic Tuneable White). MR16 and GU10 LED lamp options available. TRIAC/Phase, 0-10v/1-10v, DMX and DALI/Digital dimming.



A31600-LED + 3000-PBZ
Cut-out 103mm (4.00”) Ø



**Installation kit for overlap flange
3000-PBZ**



A31600-LED + 3000-PCZ
Cut-out 98mm (3.85”) Ø



**Mud-in kit for seamless/trimless
3000-PCZ**

LED Source	LED51TW	LED51TW
CCT (5000K - 2000K)	@ 3000K	@ 3000K
Drive Current (max per channel)	700mA	700mA
Power inc Driver	15.1W	15.1W
Beam Angle	25°	35°
Delivered Lumens	609	677
Delivered Intensity cd	2247	1335
Efficacy lm/w	40	45
Forward Volt (max per channel)	18.4V	18.4V
CRI	≥95 CRI	≥95 CRI

Project Ref: _____

Location Ref: _____

Specify fixture part number (All boxes must be filled in to correctly order)

A31600-LED					LED5ITW	5020								
-------------------	--	--	--	--	----------------	-------------	--	--	--	--	--	--	--	--

Finish
WH White
BK Black

Location
XX Dry
DP Damp
WT Wet

Installation
PB 3000-PBZ Flange kit
PC 3000-PCZ Mud-in kit

Ceiling Thickness
SC Standard Ceiling (1/2"-5/8"-3/4")
C Custom

LED Type
LED5ITW LED5ITW (95CRI)

CCT
5020 5000K - 2000K

Beam Angles
25 25
35 35

Housing/Tray
LMT-13-NIC Mounting Tray Non-Insulated ceilings
LH-6.75-NIC Housing 6.75" Non-Insulated ceilings
LH-8.50-AT/IC Housing 8.50" Insulated/Air-tight ceilings and Chicago Plenum

Mounting Hardware
09 9" to 15.25" - Adjustable Bar Hanger Lengths
14 14" to 24" - Adjustable Bar Hanger Lengths
36 28" to 36" - Adjustable Bar Hanger Lengths
BB Butterfly Bracket
CB Caterpillar Bracket

Supply Voltage
120 120V
277 277V

Dimming Protocol
A2 Analogue (0-10V) 2-Channel (0.1% Dimming)
D6 DALI Type 6** (0.1% Dimming)
D8 DALI Type 8** (0.1% Dimming)
L Lutron (Consult Factory)

Emergency
E 1.5h Emergency
ES 1.5h Self test

Louvre/Lens
XX Not required
LL45 Honeycomb
LLCC Warm Tone
LLUV UV
LLDF Solite/Diffusing
LLFR Frosted Lens
LLLS Linear Spread
LLHS Heavy Spread

*Refer to Technical Details for more information

Housing dimensions



LH-6.75
Non-insulated ceilings



LH-8.50
Insulated/air-tight ceilings and
Chicago Plenum

Tray dimensions



LMT-13
Non-insulated ceilings



Honeycomb Louvre (LL45)



Solite/Diffusing Lens (LLDF)



Frosted Lens (LLFR)



Heavy Spread Lens (LLHS)



Linear Spread Lens (LLLS)



Warm Tone (LLCC)

Technical Details

*Custom color requires a paint chip or RAL code and may increase price and lead-time

It is the responsibility of the specifier/integrator/installer to check and ensure compatibility of any control equipment used. Additional cabling may be required depending on the dimming protocol specified.

**DALI Type 6 requires two DALI addresses, one for CCT control the other for intensity control. DALI Type 8 is a single DALI Type 8 address for CCT and intensity control. Please check which control system is being used before specifying.

^ Depth indicated is the minimum recess depth for the luminaire with a remote mounted LED driver. Installing a driver through either the luminaire cut-out or installation kit may require additional recess depth, please refer to the relevant installation instructions prior to purchase.

First Fix Requirement. Luminaire comprised of fixture body with ceiling trim and installation kit, which is to be fitted into the ceiling once finished. Ensure correct alignment of the installation kit before final assembly (see luminaire installation instructions for details)

Location. Tested from underside of the ceiling.

Data correct at time of publishing. It is the policy of Lucent Lighting to continually review and improve its products and therefore reserve the right to change any details of product or withdraw specifications without prior notice.

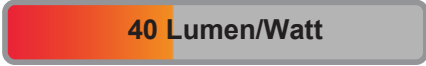
This specification sheet supersedes all previous versions.

All intellectual property rights pertaining to the product described above and to this document are owned by or licensed to Lucent Lighting, Incorporated. Lucent Lighting reserves the right to take whatever action is necessary to protect its intellectual property, patents and trademarks

Please notify Lucent Lighting Inc. inaccuracies. E&OE



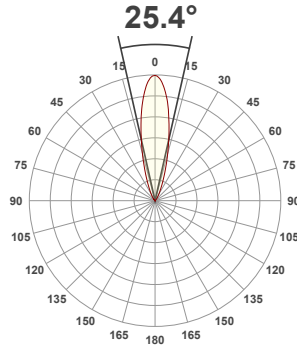
Light efficiency:



Light quality:



Color temperature:



Product name:

31600-LED - LED51TW-5020-25 @ 3000K

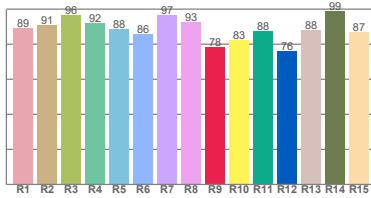
Item number:

Duo Fixed - LED51TW-5020-25 @ 3000K

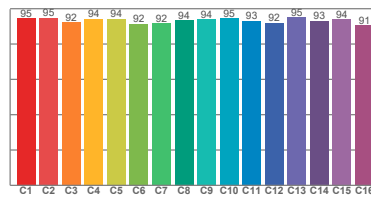
Delivered information for above fixture and LED combination.

Output: 609 Lumen Peak intensity: 2247 cd Power consumption: 15.1

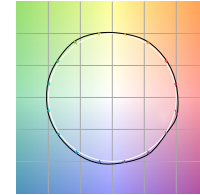
CRI R values



TM30 C Values

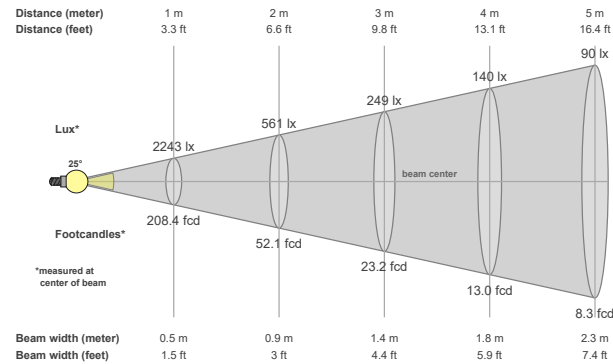


Color vector graphics



Color temperature	Color rendering index	Red component	Color fidelity	Color gamut	Color quality scale	Color coordinate cie 1931	Color coordinate cie 1931	Color coordinate	Color coordinate	Color deviation from black body
CCT	CRI	CRI R9	TM30 Rf	TM30 Rg	CQS	x	y	u	v	Δuv
3000 K	91.5	78.3	93.5	106.8	93.5	0.437	0.404	0.257	0.336	-0.0129

Beam details



Beam angles

Beam angle 50%	Field angle 10%	Cutoff angle 2,5%
25.4°	51.9°	75.8°

Beam intensities

Peak intensity	Int. ratio in 120° cone	Int. ratio in 90° cone
2247 cd	99.9%	98.2%

Beam intensities from 1-20m

1m	2m	3m	4m	5m	6m	7m	8m	9m	10m	11m	12m	13m	14m	15m	16m	17m	18m	19m	20m
3.3ft	6.6ft	9.8ft	13.1ft	16.4ft	19.7ft	23ft	26.2ft	29.5ft	32.8ft	36.1ft	39.4ft	42.7ft	45.9ft	49.2ft	52.5ft	55.8ft	59.1ft	62.3ft	65.6ft
2243lx	561lx	249lx	140lx	90lx	62lx	46lx	35lx	28lx	22lx	19lx	16lx	13lx	11lx	10lx	9lx	8lx	7lx	6lx	6lx
208.4fcd	52.1fcd	23.2fcd	13fcd	8.3fcd	5.8fcd	4.3fcd	3.3fcd	2.6fcd	2.1fcd	1.7fcd	1.4fcd	1.2fcd	1.1fcd	0.9fcd	0.8fcd	0.7fcd	0.6fcd	0.6fcd	0.5fcd

All the above information for fixtures with LED51TW-5020 modules are tested at 3000K

Factors to adjust lumen output for the following CCTs at 100% output for the colour are as follows:

2000K = 0.67 2700K = 0.84 3500K = 1.085

4000K = 1.113 5000K = 1.087

Light efficiency:

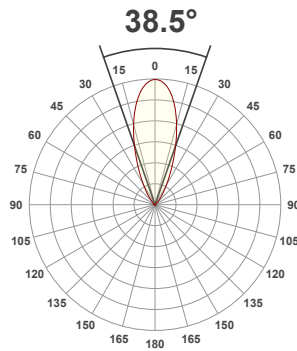
45 Lumen/Watt

Light quality:

CRI: 91.4

Color temperature:

3000 K



Product name:

31600-LED - LED51TW-5020-35 @ 3000K

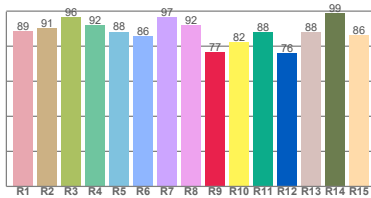
Item number:

Duo Fixed - LED51TW-5020-35 @ 3000K

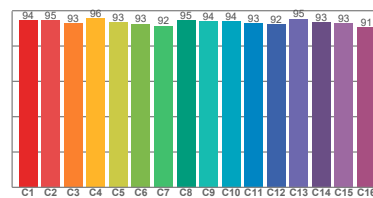
Delivered information for above fixture and LED combination.

Output: 677 Lumen Peak intensity: 1335 cd Power consumption: 15.1

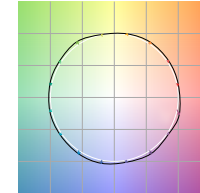
CRI R values



TM30 C Values

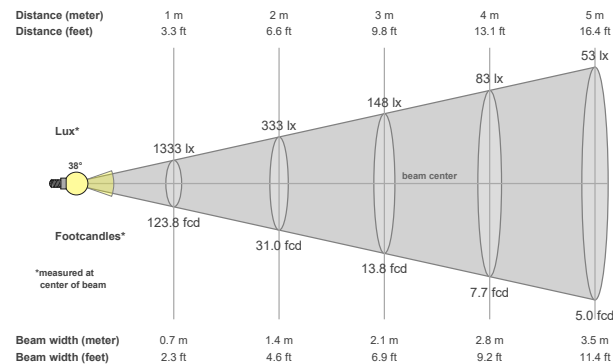


Color vector graphics



Color temperature	Color rendering index	Red component	Color fidelity	Color gamut	Color quality scale	Color coordinate cie 1931	Color coordinate cie 1931	Color coordinate	Color coordinate	Color deviation from black body
CCT	CRI	CRI R9	TM30 Rf	TM30 Rg	CQS	x	y	u	v	Δuv
3000 K	91.4	76.6	93.6	106.3	93.9	0.437	0.404	0.254	0.335	-0.0131

Beam details



Beam angles

Beam angle 50%	Field angle 10%	Cutoff angle 2,5%
38.5°	71.3°	91°

Beam intensities

Peak intensity	Int. ratio in 120° cone	Int. ratio in 90° cone
1335 cd	99.9%	97.3%

Beam intensities from 1-20m

1m	2m	3m	4m	5m	6m	7m	8m	9m	10m	11m	12m	13m	14m	15m	16m	17m	18m	19m	20m
3.3ft	6.6ft	9.8ft	13.1ft	16.4ft	19.7ft	23ft	26.2ft	29.5ft	32.8ft	36.1ft	39.4ft	42.7ft	45.9ft	49.2ft	52.5ft	55.8ft	59.1ft	62.3ft	65.6ft
1333lx	333lx	148lx	83lx	53lx	37lx	27lx	21lx	16lx	13lx	11lx	9lx	8lx	7lx	6lx	5lx	5lx	4lx	4lx	3lx
123.8fcd	31fcd	13.8fcd	7.7fcd	5fcd	3.4fcd	2.5fcd	1.9fcd	1.5fcd	1.2fcd	1fcd	0.9fcd	0.7fcd	0.6fcd	0.6fcd	0.5fcd	0.4fcd	0.4fcd	0.3fcd	0.3fcd

All the above information for fixtures with LED51TW-5020 modules are tested at 3000K

Factors to adjust lumen output for the following CCTs at 100% output for the colour are as follows:

2000K = 0.67

2700K = 0.84

3500K = 1.085

4000K = 1.113

5000K = 1.087