

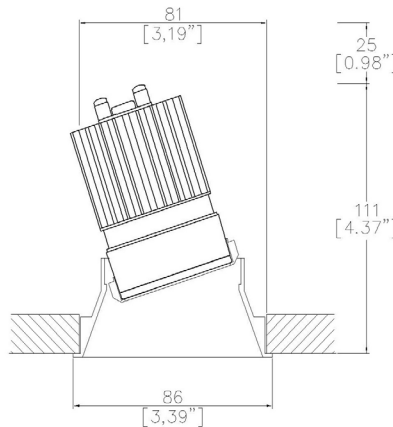
ProSpex MiniTrim

TM65.2 10kgCO2e

TM66 2.3 CEAM



86mm (3.39") overall diameter. Up to 25° tilt. Range of soft appearance with minimal trim for achieving trimless effect. Family of matching products also available.



863-LED
Cut-out Ø 81mm
Required depth height + 25mm^

LED Source	LED51/3-TW	LED51/3-TW	LED51/3-TW
CRI	≥90 CRI	≥90 CRI	≥90 CRI
Drive Current	350mA	350mA	350mA
Power inc Driver	15.4W	15.4W	15.4W
Beam Angle	NF (21°)	FL (36°/33°)	WFL (59°/53°)
Forward Volt	36V	36V	36V
CCT	6527 4018	6527 4018	6527 4018
Delivered Lumens	1287 1127	1224 1086	1383 962
Delivered Intensisty cd	6724 5893	2927 2980	1344 1160
Delivered Lumens per circuit watt	83 73	79 70	90 62

Note: Performance data is based on the Highest CCT of each module type. Refer to the table on the last page for the factors.

Project Ref: _____

Location Ref: _____

Fixture Order Code: -

Fixture
863-LED MiniTrim Round Accent with LED51

Finish

WH	White
BK	Black
RAL	Custom RAL Finish*
ABR1	Antique Brass
ABZ1	Antique Bronze
PCH1	Polished Chrome
PNK1	Polished Nickel
PBR1	Polished Brass

Module Order Code: - -

LED
LED51/3-TW LED50 ONE Gen3 Dynamic Tuneable White

CCT

4018	4000K - 1800K
6527	6500K - 2700K

Beam

NF	Narrow Flood
FL	Flood
WFL	Wide Flood

Driver Options:

Protocol

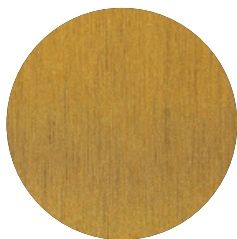
D6	DALI Type 6**
D8	DALI Type 8**
B	Bluetooth***

Emergency Options:

Emergency

E	Maintained 3hr Emergency
ED	Maintained 3hr DALI Self Test
ES	Maintained 3hr Self Test

Finish selection



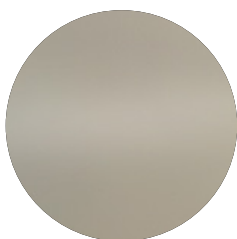
Antique Brass



Antique Bronze



Polished Brass

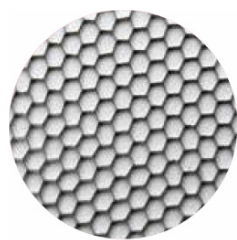


Polished Nickel

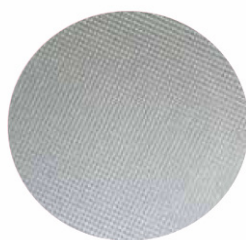


Polished Chrome

Accessories



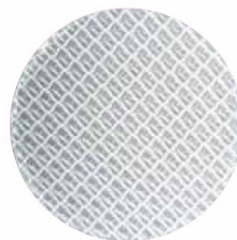
Honeycomb Louvre



Diffusing Lens



Frosted Lens



Heavy Spread Lens



Linear Spread Lens

Accessories Order Code:

Louvre/Lens

- LL45 Honeycomb Louvre
- LLDF Diffusing Lens
- LLFR Frosted Lens
- LLLS Linear Spread Lens
- LLHS Heavy Spread Lens

Technical Details

*Custom RAL code must be specified. Custom RAL colours can increase prices and lead times

Dimming. Whilst Lucent can offer the majority of its luminaires with various dimming options, it remains the responsibility of the specifier/installer to check and ensure compatibility of any control equipment used. Additional cabling may be required depending on the dimming protocol specified.

**Bluetooth (wireless) is the communication method. The exact dimming protocol must be confirmed to allow the selection of suitable drivers or bluetooth devices.

^ Depth indicated is the minimum recess depth for the luminaire with a remote mounted LED driver. Installing a driver through either the luminaire cut-out or installation kit may require additional recess depth, please refer to the relevant luminaire installation instructions for further details. Data correct at time of publishing

First Fix Requirement. Luminaire comprised of fixture body with ceiling trim and installation kit, which is to be fitted into the ceiling once finished. Ensure correct alignment of the installation kit before final assembly (see luminaire installation instructions for details)

IP Rating. Tested from underside of the ceiling

Note that the picture of the finishes provided is for illustrative purposes only. The finishes may vary in colour, texture and appearance. Contact Lucent lighting Ltd for more information.

It is the policy of Lucent Lighting to continually review and improve its products and therefore reserve the right to change any details of product or withdraw specifications without prior notice.

Luminaires designed to comply with EN60598 and all other standards.

This specification sheet supersedes all previous versions.

All intellectual property rights pertaining to the product described above and to this document are owned by or licensed to Lucent Lighting Ltd.

We reserve the right to take whatever action is necessary to protect those intellectual property rights.