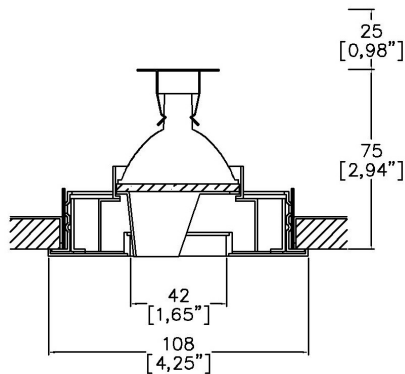


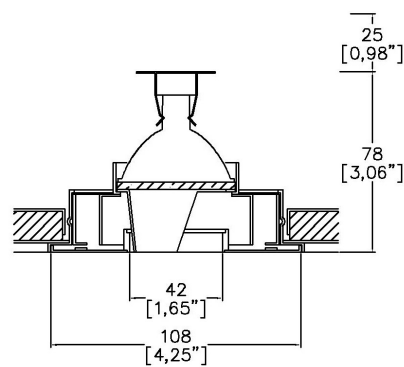
# ProSpex Edge4.25 Washlight



108mm (4.25") overall diameter. Edge baffle to ensure aperture is glare free and for a professional look. Available with standard trim kit or mud-in kit for flush appearance. Family of matching products also available. Required depth height + 25mm ^



A31413-WL-MR + 3000-PBZ  
Cut-out 103mm (4.00") Ø



A31413-WL-MR + 3000-PCZ  
Cut-out 98mm (3.85") Ø

Max Power (Halogen)	20-50W
Max Power (LED)	8-12W
Voltage	12v
Insulation Class**	I

Project Ref: \_\_\_\_\_

Location Ref: \_\_\_\_\_

Fixture Order Code:  -  -  -

Fixture  
A31413-WL-MR    Edge4.25 Washlight with MR16

Finish  
WH            White (RAL 9010)  
BK            Black (RAL 9005)  
RAL            Custom RAL Colour\*

Ceiling Thickness  
12            1/2"  
58            5/8"  
75            3/4"  
C             Custom

Location  
DP            Damp  
WT            Wet  
XX            Standard Location

Installation Order Code:

Installation  
3000-PBZ            Trim kit for trimmed appearance  
3000-PCZ            Mud-kit for seamless flush appearance





Honeycomb Louvre



Warm Tone

Accessories Order Code:

Louvre/Lens

- LL45 Honeycomb Louvre
- LLCC Warm Tone Lens
- LLUV UV Lens

### Technical Details

\*Custom RAL code must be specified. Custom RAL colours can increase prices and lead times

Dimming. Whilst Lucent can offer the majority of its luminaires with various dimming options, it remains the responsibility of the specifier/installer to check and ensure compatibility of any control equipment used. Additional cabling may be required depending on the dimming protocol specified.

\*\*Transformer installed with housing/tray, makes the installation classl. For UL2068, Insulation class II can be offered with transformers mounted remotely. Please consult factory for more information.

^ Depth indicated may vary depending on lamp type used

First Fix Requirement. Luminaire comprised of fixture body with ceiling trim and installation kit, which is to be fitted into the ceiling once finished. Ensure correct alignment of the installation kit before final assembly (see luminaire instllation instructions for details)

IP Rating. Tested from underside of the ceiling

It is the policy of Lucent Lighting to continually review and improve its products and therefore reserve the right to change any details of product or withdraw specifications without prior notice.

Luminaires designed to comply with EN60598 and all other standards.

This specification sheet superseded all previous versions.

All intellectual property rights pertaining to the product described above and to this document are owned by or licensed to Lucent Lighting Ltd.

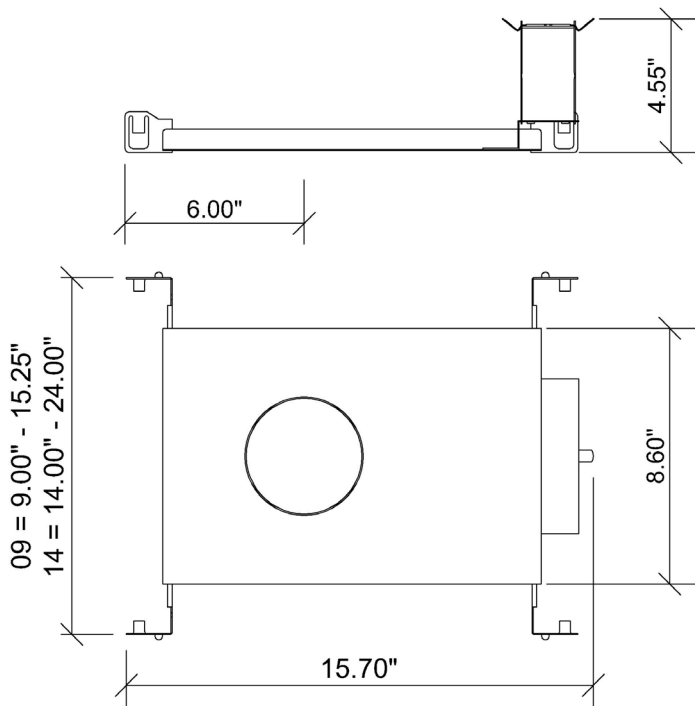
We reserve the right to take whatever action is necessary to protect those intellectual property rights.

Please notify Lucent Lighting Ltd of any inaccuracies immediately. E&OE



Project Ref: \_\_\_\_\_

Location Ref: \_\_\_\_\_



LMT-13-NIC

Tray Order Code:



Housing Type

LMT-13-NIC      Lucent Mounting Tray, Non-Insulated Ceiling

Mounting Hardware

- 09      9" to 15.25"
- 14      14" to 24"
- 36      28" to 36"
- BB      Butterfly Bracket
- CB      Caterpillar Bracket

LED  
MR

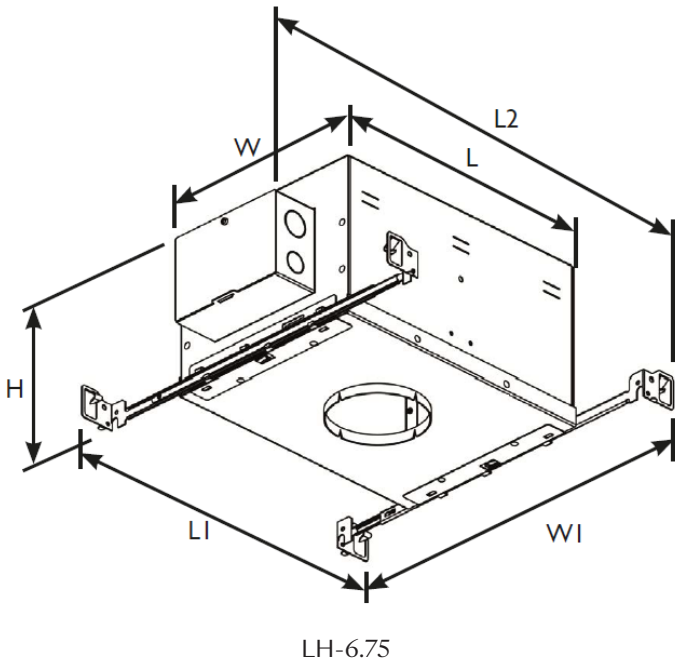
MR16

Supply Voltage

- 120      120V
- 277      277V

Project Ref: \_\_\_\_\_

Location Ref: \_\_\_\_\_



Housing Dimensions					
H	L	L1	L2	W	W1
6.75"	11.75"	14.95"	15.35"	8.75"	14" to 24"

Tray Order Code:

LH-6.75 - NIC - [ ] - MR - [ ]

Housing Type  
LH-6.75 Lucent Housing 6.75"

Housing Type  
NIC Non-Insulated Ceiling

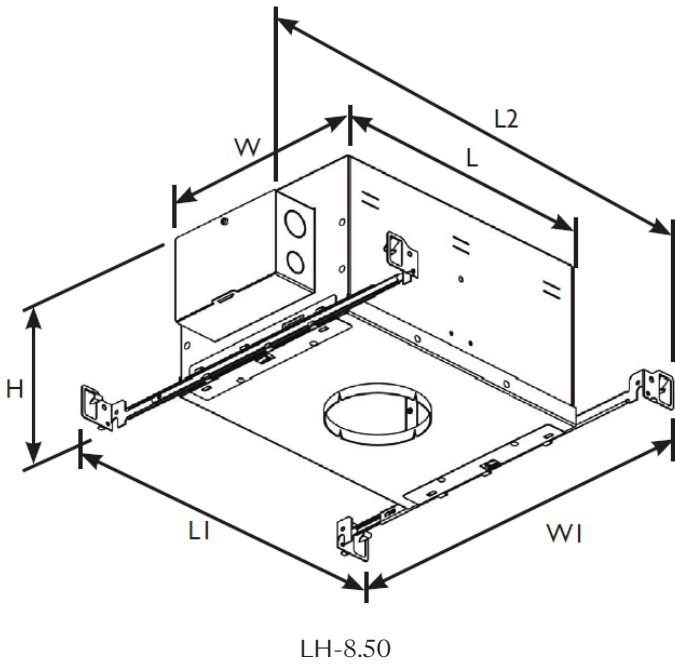
Mounting Hardware  
09 9" to 15.25"  
14 14" to 24"  
36 28" to 36"  
BB Butterfly Bracket  
CB Caterpillar Bracket

Lamp  
MR MR16

Supply Voltage  
120 120V  
277 277V

Project Ref: \_\_\_\_\_

Location Ref: \_\_\_\_\_



Housing Dimensions					
H	L	L1	L2	W	W1
8.50"	15.75"	18.95"	19.30"	12.00"	14" to 24"

Tray Order Code:

LH-8.50 - 
   - 
   - 
 MR - 
  

Housing Type  
LH-8.50      Lucent Housing 8.50"

Housing Type  
NIC      Non-Insulated Ceiling  
IC      Insulated Ceiling  
AT      Airtight Ceiling, CCEA

Mounting Hardware  
09      9" to 15.25"  
14      14" to 24"  
36      28" to 36"  
BB      Butterfly Bracket  
CB      Caterpillar Bracket

Lamp  
MR      MR16

Supply Voltage  
120      120V  
277      277V